



Republic of the Philippines
Benguet State University
 2601 La Trinidad, Benguet
 www.bsu.edu.ph

Telefax No. (074) 661-1839; Email: procurement@bsu.edu.ph

REQUEST FOR QUOTATION (RFQ)
(ALL ENTRIES ARE MANDATORY)

Name of Owner/ Corporation/ Cooperative/ Agency: _____ QUOTATION NO. 1521
 Name of Business : _____ DATE: DEC 06 2023
 Address: _____ P.R. NO. : 2023-11-1443
 Email address: _____ Telephone No. _____ ABC: Php. 469,999.00
 FUND SOURCE: FLR 2022 GAA BPR # 522

The Benguet State University through its Bids and Awards Committee will undertake NP- SVIP
 _____ for the item/s listed below under the following terms and conditions:

- All entries must be written legibly and accurately.
- Delivery period is within 5 calendar days.
- Warranty period shall be for a minimum of three months, in case of expendable supplies, and a minimum of one year in case of non- expendable supplies from date of acceptance by the University.
- Price validity shall be for a period of 30 calendar days.
- Compliance with specifications: Kindly specify in the column provided below whether the offer fully complies with the specifications or a counter offer.
- Deadline of submission of quotation is on or before 10:00 Am of Dec. 11, 2023. Offers may be submitted in sealed or open quotation in person, or through facsimile (074-661-1839) or email (procurement@bsu.edu.ph)
- The item/s shall be procured by: / a) line item; _____ b) lot; _____ c) sub-lot
- Business Permit Number : _____, date of issue: _____, place of issue: _____, (If renewal of Business Permit is still on process, please indicate OR No: _____, date of OR : _____ for the payment of renewal).
- * PhilGEPS Registration Number: _____

REYNANTE B. BASCO
 Chairperson, BAC (Goods & Services)
12-06-23

College/Dept./Office: **COLLEGE OF NURSING**

Item No.	Qty	Unit	Item	Technical Specifications (Brand and Model)		ABC	Unit Cost	Total Cost
				COMPLY	COUNTER OFFER			
1	30	unit	Computer Table, ready-made, supply and delivery, Dimension: 1200mm x 600mm x 750mm; thickness: 0.6mm, finish/color: light gray; table top: MDF board; surface: electrostatic durable powder coating.			360,000.00		
2	4	unit	Shelves, ready-made, supply and delivery, unit size: H-185cm, W-90 cm, D-40cm, 5 layer bookshelf, open-type cabinet, light gray, electrostatic, powder coated, shelves inside (with reinforcing rib).			60,000.00		
3	1	set	Counter table with cabinet, ready-made, supply and delivery, Dimensions: 2000mm L x 600mm D x 1100mm Ht; Specifications: Resistant Board + Plywood, Top : 25mm thick board , Cabinet carcass in 18mm thick HPL laminated E1 board, Sidings in 2mm PVC edge band Machine Pressed Metal Brackets, Metal Brackets, Adjustable feet leveler.			49,999.00		
			xxxxxxxxxxxxx <u>As per attached design</u>					
			TOTAL			469,999.00		

Counter offers:
 Delivery Period: _____
 Warranty: _____
 Price Validity: _____

We hereby submit our quotations, accept the general conditions for the above items and be bound by our offer.

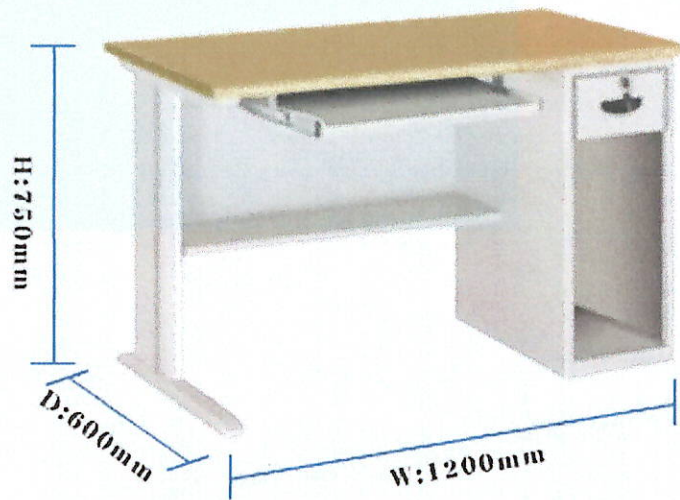
 Signature over Printed Name

 Date and Time of Receipt of RFQ

* Not a ground for disqualification for failure to indicate but required as a condition for award.

Computer Table

- Dimension: 1200 x 600 x 750mm
- Finish: Light Gray
- Thickness: 0.6mm
- Material: Body - High Quality Cold Rolled Sheet, Table Top - MDF Board
- Surface Treatment: Electrostatic durable powder coating



Counter Table

Product Dimensions: 2000mm L x 600mm D x 1100mm Ht

Specifications:

- Structure: 18mm E1 Moisture Resistant Board + Plywood
- Top : 25mm thick board
- Cabinet carcass in 18mm thick HPL laminated E1 board
- Sidings in 2mm PVC edge band Machine Pressed

Features:

- With built in grommet wire management
- Metal Brackets
- Adjustable feet leveler



Book shelves

- unit size: H-185cm, W-90 cm, D-40cm
- 5 layer bookshelf, open-type cabinet,
- light gray, electrostatic, powder coated, shelves inside (with reinforcing rib).

