



Bids and Awards Committee (BAC) - Infrastructure

INVITATION TO SUBMIT QUOTATION

January 26, 2025

Reference Number: **2025-19**

Name of Project: **REPAIR/ UPGRADING OF CTE-ELS DRAINAGE SYSTEM**

Project Location: BSU La Trinidad Campus, Km 5, Balili, La Trinidad, Benguet

Approved Budget for the Contract (ABC): Php. 500,000.00

Contract Duration: 30 calendar days

Source of Fund: GAA-MOOE

I. Introduction:

- A. The Benguet State University, through the Bids and Awards Committee (BAC) will undertake Negotiated Procurement- Small Value Procurement for the above stated project, thus, inviting registered contractors with valid license issued and classified by the Philippine Contractors Accreditation Board (PCAB. The project is a repair and upgrading of the Drainage system located at the Elementary Laboratory School. The scope of work includes siteworks, excavation, gravel bedding, reinforced concrete works, cement plaster, drainage steel grating and painting works.
- B. Prospective Bidders must have key personnel and equipment (owned, leased or under leased agreement) available for the prosecution of the project.

II. Scope of Work

Item No.	Scope of Work
A.	Project billboard/ signboard, Occupational Safety and Health Program, Mobilization / Demobilization
B.	Removal of Structures and Obstruction, Structure Excavation (Common Soil), embankment from Structure Overhaul (Including Overhaul), Gravel Bedding
C.	Reinforced concrete, storm drain (100 mm CHB Non-Load Including RSB), cement plaster finish, drainage steel grating with frame (trench grating), painting works

III. Technical Personnel Required- The key personnel must meet the required minimum of years of experience of at least three (3) years general and relevant experience. The key personnel must have valid PRC licenses/ certificates and PTR.

- a. 1 - Site Engineer
- b. 1 - Safety Officer/ Practitioner – part time (with COSH training from accredited provider)
- c. 1- Construction Foreman

IV. List of Equipment – must be in good condition

- a. 1 – One Bagger Mixer
- b. 1 – Plate Compactor – 5 HP

V. Eligibility Requirements (must be updated)- All eligibility requirements will be used for procurement purposes only.

- a. PhilGEPS Registration (must be Platinum)- with complete annexes
- b. Business Permit
- c. PCAB License
- d. Income and Business Tax Returns

- e. Audited Financial Statements
- f. Certificate of Site Inspection
- g. Omnibus Sworn Statement
- h. List of Technical Personnel with updated PRC licenses, PTR and accreditation
- i. List of Equipment with proof of ownership

VI. Procurement Activities:

a. Issuance of bid documents:

Interested bidders/ contractors can get a copy of the plans and designs, bill of quantities of the project **starting January 27, 2025** during office hours at the Procurement Management Office (PMO), 1st Floor, Administration Building, BSU, La Trinidad, Benguet

b. Deadline for Submission of Quotation

Quotation is to be submitted in a sealed envelope with the eligibility requirements on or before **February 3, 2025** at 9:30 AM at the Procurement Management Office (PMO), 1st Floor, Administration Building, BSU, La Trinidad, Benguet.

c. Opening of Quotation

February 3, 2025 at 10:00 AM at the RDC Conference Hall, 2/F BSU Administration Building, La Trinidad, Benguet.

VII. For further information, please refer to:

BAC Secretariat Committee
Procurement Management Office
Benguet State University-La Trinidad Campus
1/F Administration Building
Tel No. 661-1839; 0950-603-2749
Email: procurement@bsu.edu.ph

VIII. You may visit the following websites:

For downloading of Bidding Documents: www.bsu.edu.ph/bids-awards


SAMUEL S. POLIDEN
Chairperson
Bids and Awards Committee



PREPARED BY:	CHECKED AND SUBMITTED BY:	OWNER:	PROJECT TITLE / LOCATION:	RECOMMENDING APPROVAL:	APPROVED:	SHEET NO.
 SHERIFF JOHN C. LA MADRID PROJ. DEVT. OFFICER III	 HAZELINE N. TIBANGAY HEAD, PROJECT MANAGEMENT UNIT	 BALIKSASAYAN STATE UNIVERSITY 1916	"REPAIR / UPGRADING OF CTE-ELS DRAINAGE SYSTEM" - BSU La Trinidad Campus, Km.5, Baliit, La Trinidad, Benguet	 ALLAN C. SACPA VICE PRESIDENT FOR ADMIN. & FINANCE	 KENNETH A. LARUAN UNIVERSITY PRESIDENT	 A1 4

GENERAL CONSTRUCTION NOTES

GENERAL NOTES

1. IN THE INTERPRETATION OF THE DRAWING, INDICATED DIMENSIONS SHALL GOVERN AND DISTANCES AND SIZES SHALL NOT BE SCALED FOR CONSTRUCTION PURPOSES.
2. IN CASE OF DISCREPANCIES AS TO THE LAYOUT, DIMENSIONS, AND ELEVATIONS IN THE DRAWINGS, THE CONTRACTOR SHALL NOTIFY THE ENGINEER FOR CLARIFICATIONS.
3. ALL CONCRETE WORK SHALL BE DONE IN ACCORDANCE WITH THE ACI 318 95 BUILDING CODE REQUIREMENTS FOR REINFORCED CONCRETE AND ALL STRUCTURAL STEEL WORK ACCORDING WITH AISC SPECIFICATION (9th EDITION) IN SO FAR AS THEY DO NOT CONFLICT WITH THE LOCAL BUILDING CODE REQUIREMENT.
4. ACI REFERS TO AMERICAN CONCRETE INSTITUTE, AISC TO AMERICAN INSTITUTE OF STEEL CONSTRUCTION, AND ASTM TO AMERICAN SOCIETY FOR TESTING MATERIALS.
5. CONSTRUCTION NOTES AND TYPICAL DETAILS APPLY TO ALL DRAWINGS UNLESS OTHERWISE SHOWN OR NOTED. MODIFY TYPICAL DETAILS AS DIRECTED TO MEET SPECIAL CONDITIONS.
6. SHOP DRAWINGS WITH ERECTION AND PLACING DIAGRAMS OF ALL STRUCTURAL STEELS, MISCELLANEOUS IRON, PRE-CAST CONCRETE, ETC. SHALL BE SUBMITTED FOR ENGINEERS APPROVAL BEFORE FABRICATION.
7. ALL RESULTS OF MATERIAL TESTING FOR CONCRETE, REINFORCING BARS, AND STRUCTURAL STEEL MUST BE NOTED AND APPROVED BY THE ENGINEER.

NOTES ON CONCRETE MIXES & PLACING

1. ALL CONCRETE SHALL DEVELOP A MINIMUM COMPRESSIVE STRENGTH AT THE END OF THE TWENTY EIGHTH (28) DAYS WITH CORRESPONDING MAXIMUM SIZE AGGREGATE AND SLUMPS AS FOLLOWS.

LOCATION	28 DAYS STRENGTH	MAX. SIZE OF AGG.	MAX. SLUMP
CANAL (SOF)	3000 PSI (20.7 MPa)	20 mm	100 mm

2. MAINTAIN MINIMUM CONCRETE COVER FOR REINFORCING STEEL AS FOLLOWS.
 - CONCRETE EXPOSED TO EARTH
 - BUT POURED AGAINST FORMS _____ 50mm
 - CONCRETE DEPOSITED
 - DIRECTLY AGAINST EARTH _____ 75mm
3. CONCRETE SHALL BE DEPOSITED IN ITS FINAL POSITION WITHOUT SEGREGATION. RE-HANDLING OR PLACING SHALL BE DONE PREFERABLY WITH BUGGIES, BUCKETS OR WHEELBORROWS. NO CHUTES WILL BE ALLOWED EXCEPT TO TRANSFER CONCRETE FROM HOPPERS TO BUGGIES, WHEELBORROWS OR BUCKETS IN WHICH CASE THEY SHALL NOT EXCEED SIX (6) METERS IN AGGREGATE LENGTH.
4. NO DEPOSITING OF CONCRETE SHALL BE ALLOWED WITHOUT THE USE OF VIBRATORS UNLESS AUTHORIZED IN WRITING BY THE DESIGNERS AND ONLY FOR UNUSUAL CONDITIONS WHERE VIBRATIONS ARE EXTREMELY DIFFICULT TO ACCOMPLISH.
5. ALL ANCHOR BOLTS, DOWELS, AND OTHER INSERTS, SHALL BE PROPERLY POSITIONED & SECURED IN PLACE PRIOR TO PLACING OF CONCRETE.
6. ALL CONCRETE SHALL BE KEPT MOIST FOR A MINIMUM OF SEVEN (7) CONSECUTIVE DAYS IMMEDIATELY AFTER POURING BY THE USE OF WET BURLAP, FOG SPRAYING, CURING COMPOUNDS OR OTHER APPROVED METHODS.
7. STRIPPING OF FORMS AND SHORES:
 - CANAL LINING _____ 24 HRS.
8. THE CONTRACTOR SHALL SUBMIT THE SCHEDULE OF POURING AND THE LOCATION OF THE CONSTRUCTION JOINTS TO THE STRUCTURAL ENGINEER AT LEAST FOUR (2) DAYS PRIOR TO THE POURING FOR APPROVAL.
9. THE CONTRACTOR SHALL FURNISH AND MAINTAIN ADEQUATE FORMS AND SHORING UNTIL THE CONCRETE MEMBERS HAVE ATTAINED THEIR WORKING CONDITION AND STRENGTH.

NOTES ON REINFORCEMENT

1. UNLESS OTHERWISE NOTED IN THE PLANS, THE YIELD STRENGTH OF REINFORCING BARS SHALL BE:
 - FY = 227.5 MPA (33,000PSI) GRADE 33
2. ALL REINFORCING BARS SIZE 10MM OR LARGER SHALL BE DEFORMED IN ACCORDANCE WITH ASTM A 706. BARS SMALLER THAN 10MM MAY BE PLAIN.
3. SPLICES SHALL BE SECURELY WIRED TOGETHER & SHALL LAP OR EXTEND IN ACCORDANCE WITH TABLE A AND TABLE B (TABLE OF LAP SPLICE & ANCHORAGE LENGTH) UNLESS OTHERWISE SHOWN ON DRAWINGS, SPLICES SHALL BE STAGGERED WHENEVER POSSIBLE.

NOTES ON WELDS

1. USE E70xx ELECTRODES FOR ALL MEMBERS WELDED.
2. WELDS SHALL DEVELOP THE FULL STRENGTH OF MEMBERS JOINED UNLESS OTHERWISE SHOWN OR DETAILED IN THE DRAWINGS.

NOTES ON STRUCTURAL STEEL

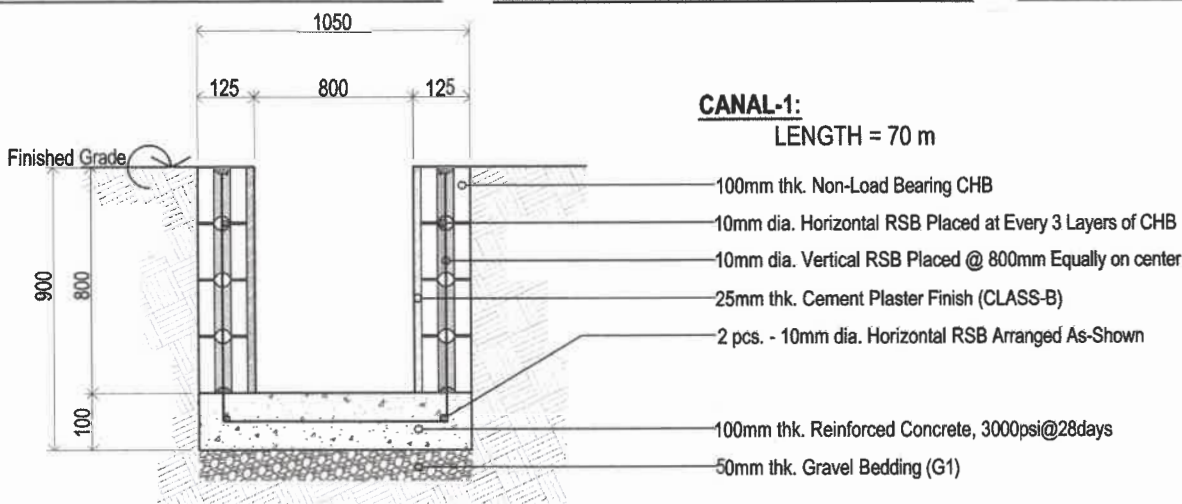
1. STRUCTURAL STEEL TO BE USED FOR FABRICATION AND ERECTION OF THIS STRUCTURE SHALL COMPLY WITH ALL THE PERTINENT PROVISIONS OF AISC SPECIFICATION FOR THE DESIGN, FABRICATION AND ERECTION OF STRUCTURAL STEEL FOR BUILDING LATEST EDITION.
2. ALL STRUCTURAL STEEL SHAPES SHALL CONFORM TO ASTM A36 STRUCTURAL STEEL UNLESS OTHERWISE INDICATED.
3. ALL WELDED CONNECTIONS SHALL DEVELOP THE FULL STRENGTH OF THE MEMBERS CONNECTED.
4. UNLESS OTHERWISE SPECIFIED, ALL WELDING RODS SHALL CONFORM AWS E60 ELECTRODES.
5. ALL BOLTS USED UNLESS OTHERWISE SPECIFIED SHALL BE ASTM A 307 BOLTS.

NOTES ON DRAINAGE STRUCTURES:

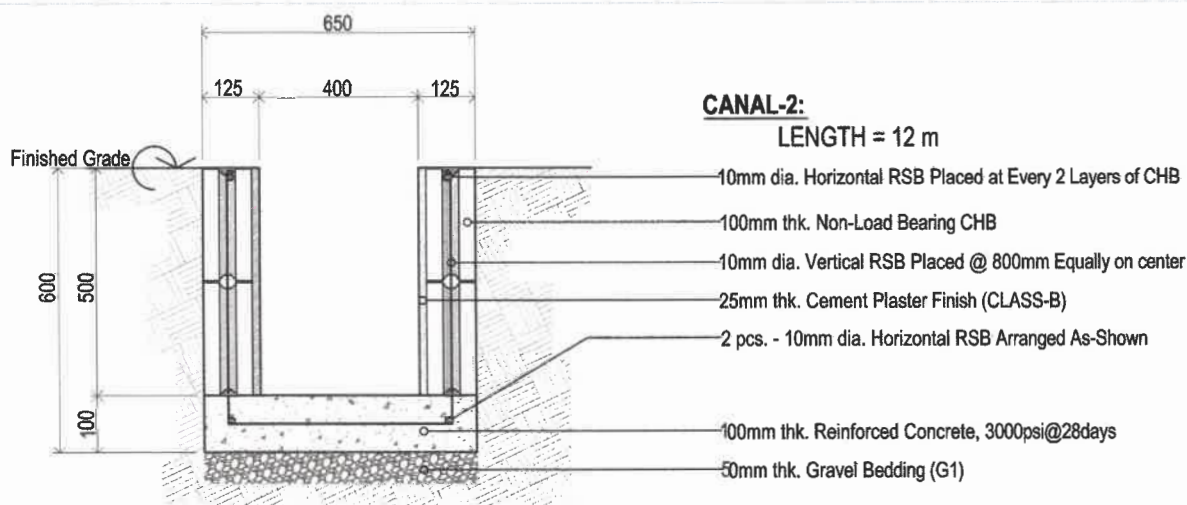
1. EXACT LOCATIONS, SLOPES, OUTFALLS, AND INVERT ELEVATIONS OF DRAINAGE STRUCTURES SHALL BE CHECKED IN THE FIELD BY THE ENGINEER. MINOR ADJUSTMENT MAY BE MADE WITH THE APPROVAL OF THE ENGINEER TO SUIT ACTUAL FIELD CONDITIONS.
2. ANY REVISIONS, REMOVAL AND/OR RELAYING OF DRAINAGE STRUCTURES AS DIRECTED BY THE ENGINEER TO SUIT EXISTING FIELD CONDITIONS SHALL BE CONSIDERED AS SUBSIDIARY WORK PERTAINING TO OTHER CONTRACT ITEMS. NO DIRECT PAYMENT SHALL BE MADE FOR THIS WORK UNLESS OTHERWISE SPECIFICALLY IDENTIFIED FOR PAYMENT IN THE BID SCHEDULE.
3. EXISTING DRAINAGE STRUCTURES OR PART THEREOF REMOVED BY THE CONTRACTOR THAT ARE STILL SERVICEABLE SHALL BE TURNED OVER TO THE GOVERNMENT AND SHALL BE DEPOSITED AT A PLACE WITHIN THE PROJECT SITE DESIGNATED BY THE ENGINEER WITHOUT ANY EXTRA COMPENSATION. EXTREME PRECAUTION SHALL BE EXERCISED BY THE CONTRACTOR NOT TO DAMAGE THESE MATERIALS DURING THE REMOVAL AND HANDLING.

A1
DRAINAGE LAYOUT
02 - 02
SCALE
AS SHOWN

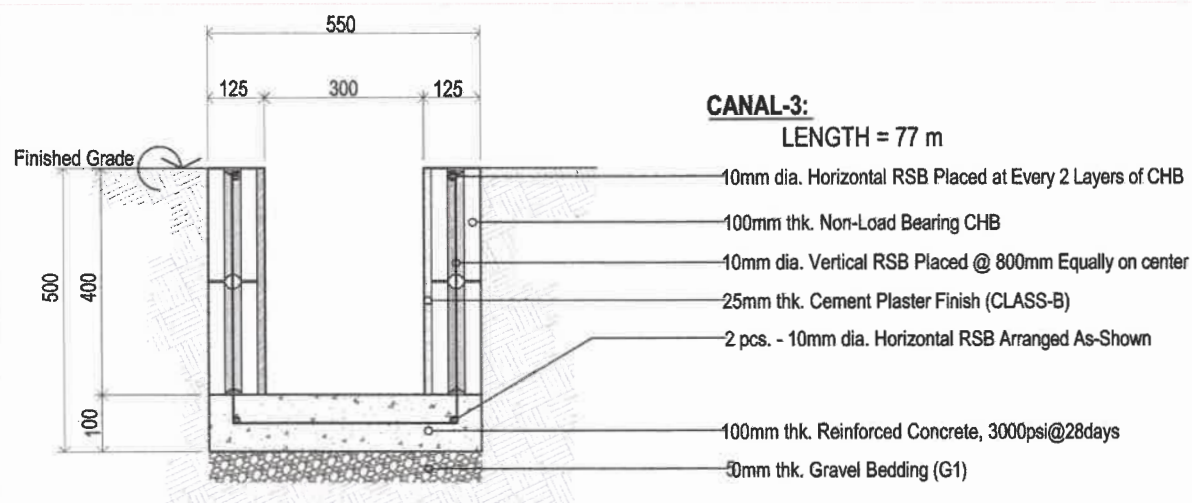
PREPARED BY:	CHECKED AND SUBMITTED BY:	OWNER:	PROJECT TITLE / LOCATION:	RECOMMENDING APPROVAL:	APPROVED:	SHEET NO.
 SHERIFF JOHN C. LA MADRID <small>PROJ. DEVT. OFFICER III</small>	 HAZELINE N. TIBANGAY <small>HEAD, PROJECT MANAGEMENT UNIT</small>		"REPAIR / UPGRADING OF CTE-ELS DRAINAGE SYSTEM" <small>-BSU La Trinidad Campus, Km.5, Balili, La Trinidad, Benguet</small>	 ALLAN C. SACPA <small>VICE PRESIDENT FOR ADMIN. & FINANCE</small>	 KENNETH A. LARUAN <small>UNIVERSITY PRESIDENT</small>	A2 4



A3 TYPICAL CANAL-1 SECTION
01 - 03 SCALE AS SHOWN

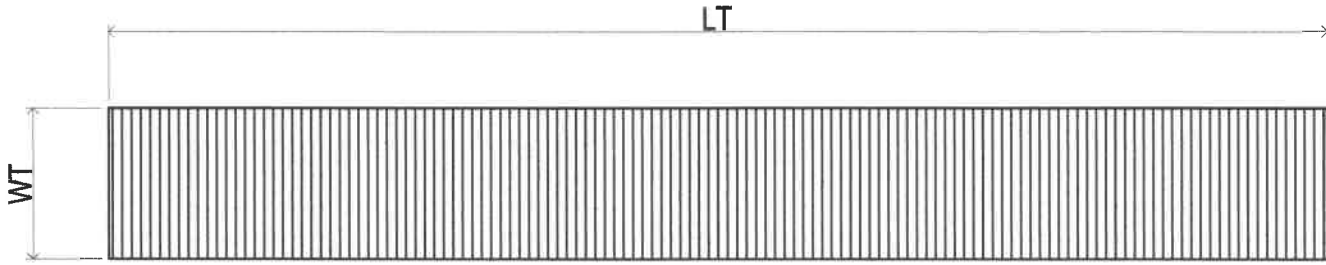


A3 TYPICAL CANAL-2 SECTION
02 - 03 SCALE AS SHOWN



A3 TYPICAL CANAL-3 SECTION
03 - 03 SCALE AS SHOWN

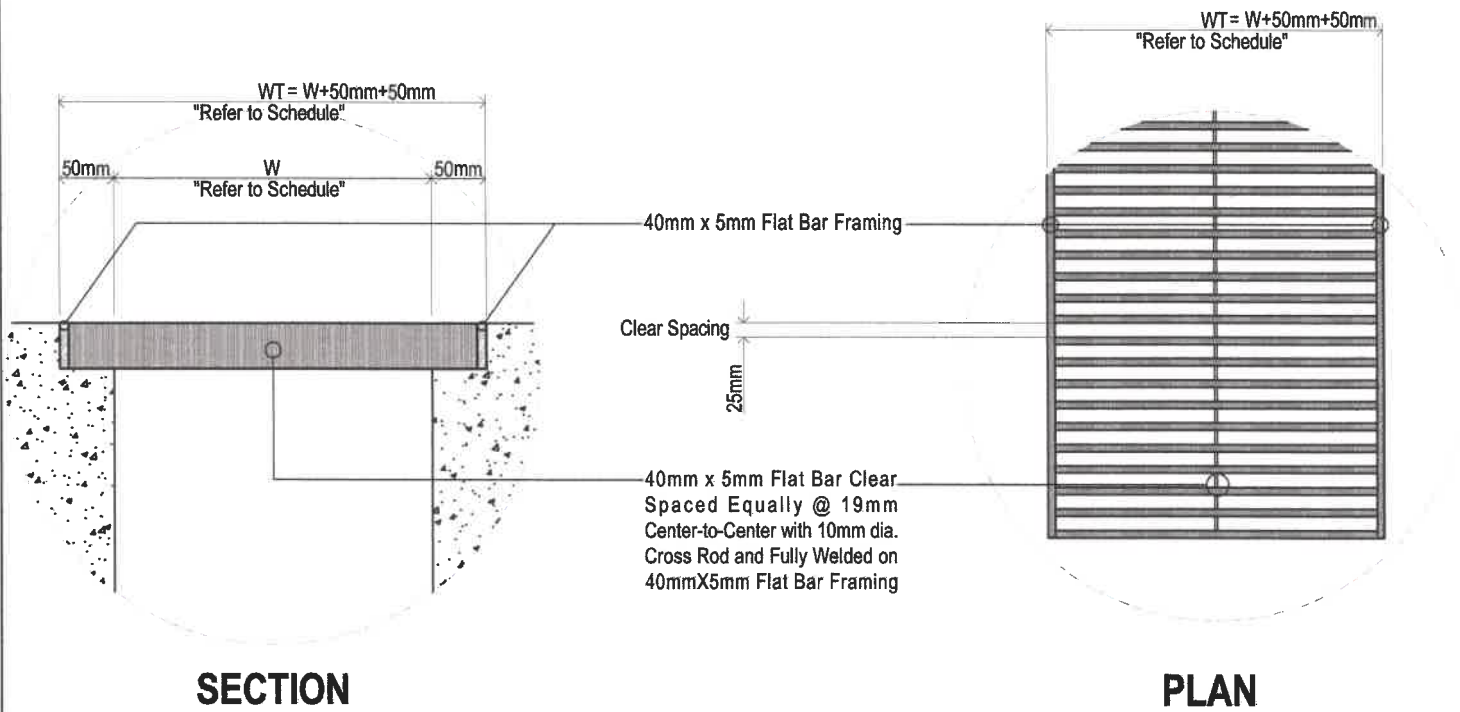
PREPARED BY:	CHECKED AND SUBMITTED BY:	OWNER:	PROJECT TITLE / LOCATION:	RECOMMENDING APPROVAL:	APPROVED:	SHEET NO.
 SHERIFF JOHN C. LA MADRID PROJ. DEVT. OFFICER III	 HAZELIN E. N. TANGAY HEAD, PROJECT MANAGEMENT UNIT		"REPAIR / UPG RADING OF CTE-ELSD RAINAGE SYSTEM" BSU La Trinidad Campus, Km.5, Baliit, La Trinidad, Benguet	 ALLAN C. SACPA VICE PRESIDENT FOR ADMIN. & FINANCE	 KENNETH A. LARUAN UNIVERSITY PRESIDENT	A3 4



LOCATION	W, m.	WT, m.	L / SPAN, m.	LT, m.
CANAL - 2	0.40	0.50	2	12
CANAL - 3	0.30	0.40	2	35

NOTE: Length Per Set of Canal Grill = 2.50m

A4 CANAL GRILL SCHEDULE
01 - 02 SCALE AS SHOWN



A4 CANAL GRILL DETAILS
02 - 02 SCALE AS SHOWN

PREPARED BY:	CHECKED AND SUBMITTED BY:	OWNER:	PROJECT TITLE / LOCATION:	RECOMMENDING APPROVAL:	APPROVED:	SHEET NO.
 SHERIFF JOHN C. LA MADRID PROJ. DEVT. OFFICER III	 HAZELINE N. TIBANGAY HEAD, PROJECT MANAGEMENT UNIT		"REPAIR / UPGRADING OF CTE-ELS DRAINAGE SYSTEM" - BSU La Trinidad Campus, Km.5, Balili, La Trinidad, Benguet	 ALLAN C. SACPA VICE PRESIDENT FOR ADMIN. & FINANCE	 KENNETH A. LARUAN UNIVERSITY PRESIDENT	

PROJECT TECHNICAL SPECIFICATIONS

Name of Project: **REPAIR / UPGRADING OF CTE-ELS DRAINAGE SYSTEM**

Location: **BSU LA TRINIDAD CAMPUS, KM.5, BALILI, LA TRINIDAD, BENGUET**

B.5 - PROJECT BILLBOARD / SIGNBOARD

Material Requirements

Tarpaulin

The design and format of the tarpaulin shall have the following specifications:

Color: White

Size: 8 ft. x 8 ft.

Resolution: 70 dpi

Font: Helvetica

Font Size of Main Information : 3 inches

Font Size of Sub-Information : 1 inch

Font Color : Black

Suitable Frame : Rigid wood frame with post; and

Posting: Outside display at the project location after award has been made.

The information shall contain but not limited to i.) logo of the funding agencies, ii.) the name of implementing agencies, iii.) name of contractor, iv.) project's title, location, cost and description, v.) project details to include duration, date started, target date of completion and project status, and vi.) COA Anti-corruption Hotline.

The display/and or affixture of the picture, image, motto, logo, color motif, initials or other symbol or graphic representation associated with the top leadership of the project proponent or implementing agency/unit/office, on project billboard, is considered unnecessary. (General Guidelines No. 2.2.6)

Post and Frame

Posts and frames/braces shall be made from good lumber with a 2X3 and 2x2 inches size respectively and shall be well-seasoned, straight and free of injurious defects. The frame will be covered with 2 pieces ¼ inch thick ordinary plywood where the tarpaulin will be attached.

Method of Measurement

The quantities of project billboard shall be in pieces of such signs of the size specified, including the necessary posts and supports erected and accepted.

Basis of Payment

The quantities measured as determined in the Method of Measurement, shall be paid for at the contract unit price for the Pay Items shown in the Bid Schedule which price and payment shall be full compensation for furnishing and installing project billboard, all labor, equipment, tools and incidentals necessary to complete the Item.

Payment will be made under:

Pay Item No.	Description	Unit of Measurement
B.5	PROJECT BILLBOARD / SIGNBOARD	EACH

ITEM B.7 – OCCUPATIONAL SAFETY AND HEALTH PROGRAM

B.7.1 Description

A Company Safety Policy which shall serve as the general guiding principles in the implementation of safety and health on site duly signed by the highest company official or his duly authorized representative who has the over--all control of project execution and should include the contractor's general policy towards occupational safety, worker's welfare and health, and environment.

A Safety policy, which shall include the commitment that the contractor shall comply with DOLE minimum safety requirements, including reporting requirements of the Occupational Health and Safety Standards (OSHS), and other relevant DOLE issuances. These may include, but are not limited to the following:

Registration (Rule 1020 and DO 18---02)

Report of Safety Committee Organization (Rule 1040)

Notification of Accidents and Occupational Illnesses (Rule 1050)

Annual Work Accident/Illness Exposure Data Report (Rule 1050)

Application for installation of mechanical/electrical equipment for construction of structure for industrial use (Rule 1070 and 1160)

Annual Medical Report (Rule 1960)

Specific Construction Safety and Health Program shall contain the tendering agency's requirements in addition to the minimum requirements under the appropriate sections of D.O. No. 13 whenever deemed as applicable.

B.7.2 Method of Measurement

Payment shall be made on a proportional basis, calculated by multiplying the percentage rate of physical progress to the total lump sum amount every progress billing.

B.7.3 Basis of Payment

Payment will be made under:

Pay Item Number	Description	Unit of Measurement
B.7	OCCUPATIONAL SAFETY AND HEALTH PROGRAM	LUMP SUM

B.9 – MOBILIZATION / DEMOBILIZATION

PROJECT TECHNICAL SPECIFICATIONS

B.9.1 Description

This item shall consist of the mobilization and demobilization of equipment needed for the project. In addition, this item also includes the cleaning of the project site including its surroundings before the final inspection.

B.9.2 Method of Measurement

The accepted quantities, measured as prescribed in section B.9.1 shall be paid for at the contract unit price for mobilization/ demobilization which price and payment shall be full compensation for furnishings and placing all materials, including all labor, equipment, tools, and incidentals necessary to complete the work prescribed in this item.

B.9.3 Basis of Payment

Payment will be made under:

Pay Item Number	Description	Unit of Measurement
B.9	MOBILIZATION / DEMOBILIZATION	LUMP SUM

ITEM 101(1) – REMOVAL OF STRUCTURES AND OBSTRUCTIONS

101(1).1 Description

This Item shall consist of the removal wholly or in part, and satisfactory disposal of all buildings, fences, structures, old pavements, abandoned pipe lines, and any other obstructions which are not designated or permitted to remain, except for the obstructions to be removed and disposed off under other items in the Contract. It shall also include the salvaging of designated materials and backfilling the resulting trenches, holes, and pits.

101(1).2 Construction Requirements

101(1).2.1 General

The Contractor shall perform the work described above, within and adjacent to the roadway, on Government land or easement, as shown on the Plans or as directed by the Engineer. All designated salvable material shall be removed, without unnecessary damage, in sections or pieces which may be readily transported, and shall be stored by the Contractor at specified places on the project or as otherwise shown in the Special Provisions. Perishable material shall be handled as designated in Subsection 100.2.2 Nonperishable material may be disposed off outside the limits of view from the project with written permission of the property owner on whose property the material is placed. Copies of all agreements with property owners are to be furnished to the Engineer. Basements or cavities left by the structure removal shall be filled with acceptable material to the level of the surrounding ground and, if within the prism of construction, shall be compacted to the required density.

101(1).2.2 Removal of Existing Bridges, Culverts, and other Drainage Structures

All existing bridges, culverts and other drainage structures in use by traffic shall not be removed until satisfactory arrangements have been made to accommodate traffic. The removal of existing culverts within embankment areas will be required only as necessary for the installation of new structures. Abandoned culverts shall be broken down, crushed and sealed or plugged. All retrieved culvert for future use as determined by the Engineer shall be carefully removed and all precautions shall be employed to avoid breakage or structural damage to any of its part. All sections of structures removed which are not designated for stockpiling or re-laying shall become the property of the Government and be removed from the project or disposed off in a manner approved by the Engineer.

Unless otherwise directed, the substructures of existing structures shall be removed down to the natural stream bottom and those parts outside of the stream shall be removed down to at least 300 mm (12 inches) below natural ground surface. Where such portions of existing structures lie wholly or in part within the limits for a new structure, they shall be removed as necessary to accommodate the construction of the proposed structure.

Steel bridges and wood bridges when specified to be salvaged shall be carefully dismantled without damaged. Steel members shall be match marked unless such match marking is waived by the Engineer. All salvaged material shall be stored as specified in Subsection 101.2.1.

Structures designated to become the property of the Contractor shall be removed from the right-of-way.

Blasting or other operations necessary for the removal of an existing structure or obstruction, which may damage new construction, shall be completed prior to placing the new work, unless otherwise provided in the Special Provisions.

101(1).2.3 Removal of Pipes Other than Pipe Culverts

Unless otherwise provided, all pipes shall be carefully removed and every precaution taken to avoid breakage or damaged. Pipes to be relaid shall be removed and stored when necessary, so that there will be no loss of damage before re-laying. The Contractor shall replace sections lost from storage or damage by negligence, at his own expense.

101(1).2.4 Removal of Existing Pavement, Sidewalks, Curbs, etc.

All concrete pavement, base course, sidewalks, curbs, gutters, etc., designated for removal, shall be:

- (1) Broken into pieces and used for riprap on the project, or
- (2) Broken into pieces, the size of which shall not exceed 300 mm (12 inches) in any dimension and stockpiled at designated locations on the project for use by the Government, or
- (3) Otherwise demolished and disposed off as directed by the Engineer. When specified, ballast, gravel, bituminous materials or other surfacing or pavement materials shall be removed and stockpiled as required in Subsection 101.2.1, otherwise such materials shall be disposed off as directed.

There will be no separate payment for excavating for removal of structures and obstructions or for backfilling and compacting the remaining cavity.

101(6).3 Method of Measurement

PROJECT TECHNICAL SPECIFICATIONS

When the Contract stipulates that payment will be made for removal of obstructions on lump-sum basis, the pay item will include all structures and obstructions encountered within the roadway. Where the contract stipulates that payment will be made for the removal of specific items on a unit basis, measurement will be made by the unit stipulated in the Contract.

Whenever the Bill of Quantities does not contain an item for any aforementioned removals, the work will not be paid for directly, but will be considered as a subsidiary obligation of the Contractor under other Contract Items.

101(6).4 Basis of Payment

The accepted quantities, measured as prescribed in Section 101.3, shall be paid for at the Contract unit price or lump sum price bid for each of the Pay Items listed below that is included in the Bill of Quantities which price and payment shall be full compensation for removing and disposing of obstructions, including materials, labor, equipment, tools and incidentals necessary to complete the work prescribed in this Item. The price shall also include backfilling, salvage of materials removed, their custody, preservation, storage on the right-of-way and disposal as provided herein.

Payment will be made under:

Pay Item Number	Description	Unit of Measurement
101 (1)	REMOVAL OF STRUCTURES AND OBSTRUCTIONS	LUMP SUM

ITEM 103(1)a – STRUCTURE EXCAVATION (COMMON SOIL)

103(1)a.1 Description

This Item shall consist of the necessary excavation for foundation and septic vault of the dormitory, and other structures not otherwise provided for in the Specifications.

It shall also include the furnishing and placing of approved foundation fill material to replace unsuitable material encountered below the foundation elevation of structures.

No allowance will be made for classification of different types of material encountered.

103(1)a.2 Construction Requirements

103(1)a.2.1 Clearing and Grubbing

Prior to starting excavation operations in any area, all necessary clearing and grubbing in that area shall have been performed in accordance with Item 100, Clearing and Grubbing.

103(1)a.2.2 Excavation

General, all structures. The Contractor shall notify the Engineer sufficiently in advance of the beginning of any excavation so that cross-sectional elevations and measurements may be taken on the undisturbed ground. The natural ground adjacent to the structure shall not be disturbed without permission of the Engineer.

Trenches or foundation pits for structures or structure footings shall be excavated to the lines and grades or elevations shown on the Plans or as staked by the Engineer. They shall be of sufficient size to permit the placing of structures or structure footings of the full width and length shown in the Structural Plan under Footing Schedule. The elevations of the bottoms of footings, as shown on the Plans, shall be considered as approximate only and the Engineer may order, in writing, such changes in dimensions or elevations of footings as may be deemed necessary, to secure a satisfactory foundation.

Trenches or foundation pits for structures or structure footings shall be excavated to the lines and grades or elevations shown on the Plans or as staked by the Engineer. They shall be of sufficient size to permit the placing of structures or structure footings of the full width and length shown. The elevations of the bottoms of footings, as shown on the Plans, shall be considered as approximate only and the Engineer may order, in writing, such changes in dimensions or elevations of footings as may be deemed necessary, to secure a satisfactory foundation.

103(1)a.2.3 Utilization of Excavated Materials

All excavated materials, so far as suitable, shall be utilized as backfill or embankment. The surplus materials shall be disposed off in such manner as not to obstruct the stream or otherwise impair the efficiency or appearance of the Structure. No excavated materials shall be deposited at any time so as to endanger the partly finished structure.

103(1)a.3 Method of Measurement

The volume of excavation to be paid for will be the number of cubic meters measured in original position of material acceptably excavated in conformity with the Plans or as directed by the Engineer:

Pay Item Number	Description	Unit of Measurement
103(1)a	STRUCTURE EXCAVATION (COMMON SOIL)	CUBIC METER

ITEM 804(1)a – EMBANKMENT FROM STRUCTURE EXCAVATION

804(1)a.1 Description

This Item shall consist of the backfilling of the excavated footings and preparation of base materials for the slab-on-fill as indicated in the plan and specification.

It shall also include the furnishing and placing of approved foundation fill material to replace unsuitable material encountered below the foundation elevation of structures.

804(1)a.2 Construction Requirements

Embankment for the base of the slab-on-fill of earth material shall be placed in horizontal layers not exceeding 200 mm (8 inches), loose measurement, and shall be compacted as specified before the next layer is placed. However, thicker layer maybe placed if vibratory roller with high compactive effort is used provided that density requirement is attained and as approved by the Engineer. Trial section to this effect must be conducted and approved by the Engineer.

PROJECT TECHNICAL SPECIFICATIONS

Effective spreading equipment shall be used on each lift to obtain uniform thickness as determined in the trial section prior to compaction. As the compaction of each layer progresses, continuous leveling and manipulating will be required to assure uniform density. Water shall be added or removed, if necessary, in order to obtain the required density. Removal of water shall be accomplished through aeration by plowing, blading, discing, or other methods satisfactory to the Engineer.

Throughout the periods when compaction of earthwork is in progress, the Contractor shall adhere to the compaction procedures found from compaction trials for each type of material being compacted, each type of compaction equipment employed and each degree of compaction specified.

804(1)a.3 Method of Measurement

The volume of embankment (Backfill from Structure Excavation) to be paid for will be the number of cubic meters measured in original position of material acceptably backfilled and compacted in conformity with the Plans or as directed by the Engineer:

Pay Item Number	Description	Unit of Measurement
804(1)a	EMBANKMENT FROM STRUCTURE EXCAVATION	CUBIC METER

ITEM 804(4) – GRAVEL BEDDING

804(4).1 Description

This Item shall consist of placing and compacting of gravel bedding materials for the footing and slab-on-fill as indicated in the plan and specification.

It shall also include the furnishing and placing of approved foundation fill material to replace unsuitable material encountered below the foundation elevation of structures.

804(4).2 Material and Construction Requirements

Materials for this item is a G1 Gravel as indicated in the DUPA for this item.

Throughout the periods when compaction of gravel fill is in progress, the Contractor shall adhere to the compaction procedures found from compaction trials for each type of material being compacted, each type of compaction equipment employed and each degree of compaction specified.

804(4).3 Method of Measurement

The volume of G1 gravel for the gravel bedding of footings and slab on fill to be paid for will be the number of cubic meters measured in original position of material acceptably of compacted gravel in conformity with the Plans or as directed by the Engineer:

Pay Item Number	Description	Unit of Measurement
804(4)	GRAVEL BEDDING	CUBIC METER

ITEM 900 - REINFORCED CONCRETE

900.1 Description

This Item shall consist of furnishing, bending, placing, and finishing concrete in buildings and related structures in accordance with this Specification and conforming to the lines, grades, and dimension shown on the plans. Concrete shall consist of a mixture of Portland Cement, fine aggregate, coarse aggregate, admixture when specified, and water mixed in the proportions specified or approved by the Engineer.

900.2 Materials Requirements

900.2.1 Portland Cement

This shall conform to the requirement of ITEM 700, Volume II (Blue Book), Hydraulic cement.

900.2.2 Concrete Aggregates

Concrete aggregate shall conform to the requirements of subsection 311.2.2 and 311.2.3 under Item 311 of Volume II, (Blue Book) and ASTM C 33 for lightweight aggregates, except that aggregates failing to meet these specifications but which have been shown by special test or actual service to produce concrete of adequate strength and durability may be used under method (2) of determining the proportion of concrete, where authorized by the Engineer. Except as permitted elsewhere in this section, the maximum size of the aggregate shall be no larger than one-fifth (1/5) of the narrowest dimensions between sides of forms of the member for which the concrete is to be used nor larger than three-fourths of the minimum clear spacing between individual reinforcing bars or bundles of bars or pretensioning strands.

900.2.2.1 Aggregate Tests

Samples of the fine and coarse aggregates to be used shall be selected by the Engineer for tests at least 30 days before the actual concreting operations are to begin. It shall be the responsibility of the contractor to designate the source or sources of aggregate to give the Engineer sufficient time to obtain the necessary samples and submit them for testing.

No aggregate shall be used until official advice has been received that it has satisfactorily passed all test, at which time written authority shall be given for its use.

900.2.3 Water

Water used in mixing concrete shall conform to the requirement of subsection 311.2.4 under Item 311, Part E, of Volume II, (DPWH Blue Book).

900.2.4 Admixtures

Air-entraining admixtures, if used, shall conform to ASTM C 260.

Water-reducing admixtures, retarding admixtures, water-reducing and retarding admixtures and water reducing and accelerating admixtures, if used, shall conform to the requirements of ASTM C 494.

900.2.5 Storage of Materials

PROJECT TECHNICAL SPECIFICATIONS

Cement and aggregates shall be stored in such a manner as to prevent their deterioration or the intrusion of foreign matter. Cement shall be stored, immediately upon arrival on the site of the work, in substantial, waterproof bodegas, with a floor raised from the ground sufficiently high to be free from dampness. Aggregates shall be stored in such a manner as to avoid the inclusion of foreign materials.

900.3 Construction Requirements

Notations: The notations used in these regulations are defined as follows:

f_c = compressive strength of concrete

f_{sp} = ratio of splitting tensile strength to square root of compressive strength.

900.3.1 Concrete Quality

All plans submitted for approval or used for any project shall clearly show the specified strength, f_c , of concrete of the specified age for which each part of the structure was designed.

Concrete that will be exposed to sulfate containing or other chemically aggressive solutions shall be proportioned in accordance with "Recommended Practice for Selecting Proportions for Concrete (ACI 613)" and Recommended Practice for Selecting Proportions for Structural Lightweight Concrete (ACI 613A)."

900.3.2 Methods of Determining the Proportions of Concrete

The determination of the proportions of cement, aggregate, and water to attain the required strengths shall be made by one of the following methods, but lower water-cement ratios may be required for conformance with the quality of concrete.

Method 1, Without preliminary test

Where preliminary test data on the materials to be used in the concrete have not been obtained the water-cement ratio for a given strength of concrete shall not exceed the values shown in Table 900.1. When strengths in excess of 281 kilograms per square centimeter (4000 pounds per square inch) are required or when light weight aggregates or admixtures (other than those exclusively for the purpose of entraining - air) are used, the required water-cement ratio shall be determined in accordance with Method 2.

Method 2. For combination of materials previously evaluated or to be established by trial mixtures.

Water-cement ratios for strengths greater than that shown in Table 900(7).1 may be used provided that the relationship between strength and water-cement ratio for the materials to be used has been previously established by reliable test data and the resulting concrete satisfies the requirements of concrete quality. Where previous data are not available. Concrete trial mixtures having proportions and consistency suitable for the work shall be made using at least three different water-cement ratios (or cement content in the case of lightweight aggregates) which will produce a range of strengths encompassing those required for the work. For each water-cement ratio (or cement content) at least three specimens for each age to be tested shall be made, cured and tested for strength in accordance with ASTM C 39 and C 192.

The strength test shall be made at 7, 14 and 28 days at which the concrete is to receive load, as indicated on the plans. A curve shall be established showing the relationship between water-cement ratio (or cement content) and compressive strength. The maximum permissible water-cement ratio for the concrete to be used in the structure shall be that shown by the curve to produce an average strength to satisfy the requirements of the strength test of concrete provided that the water-cement ratio shall be no greater than that required by concrete quality when concrete that is to be subjected to the freezing temperatures which weight shall have a water-cement ratio not exceeding 6 gal per bag and it shall contain entrained air.

Where different materials are to be used for different portions of the work, each combination shall be evaluated separately.

TABLE 900.1 MAXIMUM PERMISSIBLE WATER-CEMENT RATIOS FOR CONCRETE (METHOD NO.1)

Specified compressive strength at 28 days, psi f_c	Maximum permissible water-cement ratio			
	Non-air-entrained concrete		Air-entrained concrete	
	U.S. gal. per 42.6 kg. bag of cement	Absolute ratio by weight	U.S. gal per 42.6 kg. bag of cement	Absolute ratio by weight
2500	7 ¼	0.642	6 ¼	0.554
3000	6 ½	0.576	5 ¼	0.465
3500	5 ¾	0.510	4 ½	0.399
4000	5	0.443	4	0.354

900.3.3 Concrete Proportions and Consistency

The proportions of aggregate to cement for any concrete shall be such as to produce a mixture which will work readily into the corners and angles of the form and around reinforcement with the method of placing employed on the work, but without permitting the materials to segregate or excess free water to collect on the surface. The methods of measuring concrete materials shall be such that the proportions can be accurately controlled and easily checked at any time during the work.

900.3.4 Sampling and Testing of Structural Concrete

As work progress, at least one (1) set of samples consisting of three (3) standard concrete cylinder test specimens shall be taken from each class of concrete placed each day, and each set to represent not more than 75 cu m of concrete.

900.3.5 Consistency

Concrete shall have a consistency such that it will be workable in the required position. It shall be such a consistency that it will flow around reinforcing steel but individual particles of the coarse aggregate when isolated shall show a coating or mortar containing its proportionate amount of sand. The consistency of concrete shall be gauged by the ability of the equipment to properly place it and not by the difficulty of mixing water shall be determined by the Engineer and shall not be varied without his consent. Concrete as dry as it is practical to place with the equipment specified shall be used.

900(7).3.6 Strength Test of Concrete

When strength is a basis for acceptance, each class of concrete shall be represented by at least five test (10 specimens). Two specimens shall be made for each test at a given age, and not less than one test shall be made for each 150 cu.yd. of structural concrete, but there shall be at least one test for each days concreting. The Building Official may require a reasonable number of additional tests during the progress of the work. Samples from which compression test specimens are molded shall be secured in accordance with ASTM C 172. Specimens made to check the adequacy of the proportions for strength of concrete or as a basis for acceptance of concrete shall be made and laboratory-cured in accordance with ASTM C 31. Additional test specimens cured entirely under field conditions may be required by the Building Official to check the adequacy of curing and protection of the concrete. Strength tests shall be made in accordance with ASTM C 39.

PROJECT TECHNICAL SPECIFICATIONS

The age for strength tests shall be 28 days of, where specified, the earlier age at which the concrete is to receive its full load or maximum j stress. Additional test may be made at earlier ages to obtain advance information on the adequacy of strength development where age-strength relationships have been established for the materials and proportions used.

To conform to the requirements of this Item:

1. For structures designed in accordance with the working stress design method of this chapter, the average of any five consecutive strength tests of the laboratory-cured specimens representing each class of concrete shall be equal on or greater than the specified strength, f_c' , and not more than 20 percent of the strength test shall have values less than that specified.

2. For structures designed in accordance with the ultimate strength design method of this chapter, and for prestressed structures the average of any three consecutive strength test of the laboratory, cured specimens representing each class of concrete shall be equal to or greater than the specified strength, f_c' and not more than 10 percent of the strength tests shall have values less than the specified strength. When it appears that the laboratory-cured specimens will fail to conform to the requirements for strength, the Engineer shall have the right to order changes in the concrete sufficient to increase the strength to meet these requirements. The strengths of the specimens cured on the job are intended to indicate the adequacy of protection and curing of the concrete and may be used to determine when the forms may be stripped, shoring removed, or the structure placed in service. When, in the opinion of the Building Official, the strengths of the job-cured specimens, the contractor may be required to improve the procedures for protecting and curing the concrete, or when test of field-cured cylinders indicate deficiencies in protection and curing, the Engineer may require test in accordance with ASTM Specification C 42 or order load tests as outlined in the load tests of structures for that portion of the structure where the questionable concrete has been placed.

900.3.7 Splitting Tensile Test of Concrete

To determine the splitting ratio, F_{sp} , for a particular aggregate, test of concrete shall be made as follows:

1. Twenty-four (24) 15 cm. dia. by 30 cm long (6 in. dia. by 12 in. long) cylinders shall be made in accordance with ASTM C 192, twelve at a compressive strength level of approximately 210 kilograms per square centimeter (3000 psi) and twelve at approximately 280 kilograms per square centimeter (4000 psi) or 350 kilograms per square centimeter (5000 psi). After 7 days moist curing followed by 21 days drying at 23C (73F) and 50 percent relative humidity, eight of the test cylinders at each of the two strength levels shall be tested for splitting strength and four for compressive strength.

2. The splitting tensile strength shall be determined in accordance with ASTM C 496, and compressive strength in accordance with ASTM C 39. The ratio, F_{sp} , of splitting tensile strength to the square root of compressive strength shall be obtained by using the average of all 16 splitting tensile test and all 8 compressive tests. Minimum Strength, Concrete other than fill, shall have a minimum compressive strength at 28 days of 140 kilograms per square centimeter (2000 psi).

900.3.8 Batching

Measuring and batching of materials shall be done at a batching plant.

1. Portland Cement

Either sacked or bulk cement may be used. No fraction of a sack of cement shall be used in a batch of concrete unless the cement is weighed. All bulk cement shall be weighed on an approved weighing device. The bulk cement weighing hopper shall be properly sealed and vented to preclude dusting operation. The discharge chute shall not be suspended from the weighing hopper and shall be so arranged that cement will neither be lodged in it nor leak from it.

Accuracy of batching shall be within plus (+) or minus (-) 1 mass percent.

2. Water

Water may be measured either by volume or by weight. The accuracy of measuring the water shall be within a range of error of not more than 1 percent.

3. Aggregates

Stockpiling of aggregates shall be in accordance with Subsection 311.2.10. All aggregates whether produced or handled by hydraulic methods or washed, shall be stockpiled or binned for draining for at least 12 hours prior to batching. Rail shipment requiring more than 12 hours will be accepted as adequate binning only if the car bodies permit free drainage. If the aggregates contain high or non-uniform moisture content, storage or stockpile period in excess of 12 hours may be required by the Engineer.

Batching shall be conducted as to result in a 2-mass percent maximum tolerance for the required materials.

4. Bins and Scales

The batching plant shall include separate bins for bulk cement, fine aggregate and for each size of coarse aggregate, a weighing hopper, and scales capable of determining accurately the mass of each component of the batch.

Scales shall be accurate to one-half (0.5) percent throughout the range used.

5. Batching

When batches are hauled to the mixer, bulk cement shall be transported either in waterproof compartments or between the fine and coarse aggregate. When cement is placed in contact with moist aggregates, batches will be rejected unless mixed within 1-1/2 hours of such contact. Sacked cement may be transported on top of the aggregates.

Batches shall be delivered to the mixer separate and intact. Each batch shall be dumped cleanly into the mixer without loss, and, when more than one batch is carried on the truck, without spilling of material from one batch compartment into another.

6. Admixtures

The Contractor shall follow an approved procedure for adding the specified amount of admixture to each batch and will be responsible for its uniform operation during the progress of the work. He shall provide separate scales for the admixtures which are to be proportioned by weight, and accurate measures for those to be proportioned by volume. Admixtures shall be measured into the mixer with an accuracy of plus or minus three (3) percent.

The use of Calcium Chloride as an admixture will not be permitted.

900.3.9 Mixing and Delivery

Concrete may be mixed at the site of construction, at a central point or by a combination of central point and truck mixing or by a combination of central point mixing and truck agitating. Mixing and delivery of concrete shall be in accordance with the appropriate requirements of AASHTO M 157 except as modified in the following paragraphs of this section, for truck mixing or a combination of central point and truck mixing or truck agitating. Delivery of concrete shall be

PROJECT TECHNICAL SPECIFICATIONS

regulated so that placing is at a continuous rate unless delayed by the placing operations. The intervals between delivery of batches shall not be so great as to allow the concrete in place to harden partially, and in no case shall such an interval exceed 30 minutes.

In exceptional cases and when volumetric measurements are authorized, for small project requiring less than 75 cu.m. per day of pouring, the weight proportions shall be converted to equivalent volumetric proportions. In such cases, suitable allowance shall be made for variations in the moisture condition of the aggregates, including the bulking effect in the fine aggregate. Batching and mixing shall be in accordance with ASTM C 685, Section 6 through 9.

Concrete mixing, by chute is allowed provided that a weighing scales for determining the batch weight will be used.

For batch mixing at the site of construction or at a central point, a batch mixer of an approved type shall be used. Mixer having a rated capacity of less than a one-bag batch shall not be used. The volume of concrete mixed per batch shall not exceed the mixer's nominal capacity as shown on the manufacturer's standard rating plate on the mixer except that an overload up to 10 percent above the mixer's nominal capacity may be permitted, provided concrete test data for strength, segregation, and uniform consistency are satisfactory and provided no spillage of concrete takes place. The batch shall be so charge into the drum that a portion of the water shall enter in advance of the cement and aggregates. The flow of water shall be uniform and all water shall be in the drum by the end of the first 15 seconds of the mixing period. Mixing time shall be measured from the time all materials, except water, are in the drum. Mixing time shall not be less than 60 seconds for mixers having a capacity of 1.5m³ or less. For mixers having a capacity greater than 1.5m³, the mixing time shall not be less than 90 seconds. If timing starts, the instant the skip reaches its maximum raised position, 4 seconds shall be added to the specified mixing time. Mixing time ends when the discharge chute opens.

The mixer shall be operated at the drum speed as shown on the manufacturer's name plate on the mixer. Any concrete mixed less than the specified time shall be discarded and disposed off by the Contractor at his own expenses.

The timing device on stationary mixers shall be equipped with a bell or other suitable warning device adjusted to give a clearly audible signal each time the lock is released. In case of failure of the timing device, the Contractor will be permitted to continue operations while it is being repaired, provided he furnishes an approved timepiece equipped with minute and second hands. If the timing device is not placed in good working order within 24 hours, further use of the mixer will be prohibited until repairs are made.

Retempering concrete will not be permitted. Admixtures for increasing the workability, for retarding the set, or for accelerating the set or improving the pumping characteristics of the concrete will be permitted only when specifically provided for in the Contract, or authorized in writing by the Engineer.

1. Mixing Concrete: General

Concrete shall be thoroughly mixed in a mixer of an approved size and type that will insure a uniform distribution of the materials throughout the mass.

All concrete shall be mixed in mechanically operated mixers. Mixing plant and equipment for transporting and placing concrete shall be arranged with an ample auxiliary installation to provide a minimum supply of concrete in case of breakdown of machinery or in case the normal supply of concrete is disrupted. The auxiliary supply of concrete shall be sufficient to complete the casting of a section up to a construction joint that will meet the approval of the Engineer.

Equipment having components made of aluminum or magnesium alloys, which would have contact with plastic concrete during mixing, transporting or pumping of Portland Cement concrete, shall not be used.

Concrete mixers shall be equipped with adequate water storage and a device of accurately measuring and automatically controlling the amount of water used.

Materials shall be measured by weighing. The apparatus provided for weighing the aggregates and cement shall be suitably designed and constructed for this purpose. The accuracy of all weighing devices except that for water shall be such that successive quantities can be measured to within one percent of the desired amounts. The water measuring device shall be accurate to plus or minus 0.5 mass percent. All measuring devices shall be subject to the approval of the Engineer. Scales and measuring devices shall be tested at the expense of the Contractor as frequently as the Engineer may deem necessary to ensure their accuracy.

Weighing equipment shall be insulated against vibration or movement of other operating equipment in the plant. When the entire plant is running, the scale reading at cut-off shall not vary from the weight designated by the Engineer more than one mass percent for cement, 1-1/2 mass percent for any size of aggregate, or one (1) mass percent for the total aggregate in any batch.

2. Mixing Concrete at Site

Concrete mixers may be of the revolving drum or the revolving blade type and the mixing drum or blades shall be operated uniformly at the mixing speed recommended by the manufacturer. The pick-up and throw-over blades of mixers shall be restored or replaced when any part or section is worn 20mm or more below the original height of the manufacturer's design. Mixers and agitators which have an accumulation of hard concrete or mortar shall not be used.

When bulk cement is used and volume of the batch is 0.5m³ or more, the scale and weigh hopper for Portland Cement shall be separate and distinct from the aggregate hopper or hoppers. The discharge mechanism of the bulk cement weigh hopper shall be interlocked against opening before the full amount of cement is in the hopper. The discharging mechanism shall also be interlocked against opening when the amount of cement in the hopper is underweight by more than one (1) mass percent or overweight by more than 3 mass percent of the amount specified.

When the aggregate contains more water than the quantity necessary to produce a saturated surface dry condition, representative samples shall be taken and the moisture content determined for each kind of aggregate.

The batch shall be so charged into the mixer that some water will enter in advance of cement and aggregate. All water shall be in the drum by the end of the first quarter of the specified mixing time.

Cement shall be batched and charged into the mixer so that it will not result in loss of cement due to the effect of wind, or in accumulation of cement on surface of conveyors or hoppers, or in other conditions which reduce or vary the required quantity of cement in the concrete mixture.

The entire content of a batch mixer shall be removed from the drum before materials for a succeeding batch are placed therein. The materials composing a batch except water shall be deposited simultaneously into the mixer.

PROJECT TECHNICAL SPECIFICATIONS

All concrete shall be mixed for a period of not less than 1-1/2 minutes after all materials, including water, are in the mixer. During the period of mixing, the mixer shall operate at the speed for which it has been designed.

Mixers shall be operated with an automatic timing device that can be locked by the Engineer. The time device and discharge mechanics shall be so interlocked that during normal operation no part of the batch will be charged until the specified mixing time has elapsed.

The first batch of concrete materials placed in the mixer shall contain a sufficient excess of cement, sand, and water to coat inside of the drum without reducing the required mortar content of the mix. When mixing is to cease for a period of one hour or more, the mixer shall be thoroughly cleaned.

3. Mixing Concrete at Central Plant

Mixing at central plant shall conform to the requirements for mixing at the site.

4. Mixing Concrete in Truck

Truck mixers, unless otherwise authorized by the Engineer, shall be of the revolving drum type, water-tight, and so constructed that the concrete can be mixed to insure a uniform distribution of materials throughout the mass. All solid materials for the concrete shall be accurately measured and charged into the drum at the proportioning plant. Except as subsequently provided, the truck mixer shall be equipped with a device by which the quantity of water added can be readily verified. The mixing water may be added directly to the batch, in which case a tank is not required. Truck mixers may be required to be provided with a means of which the mixing time can be readily verified by the Engineer.

The maximum size of batch in truck mixers shall not exceed the minimum rated capacity of the mixer as stated by the manufacturer and stamped in metal on the mixer. Truck mixing, shall, unless otherwise directed be continued for not less than 100 revolutions after all ingredients, including water, are in the drum. The mixing speed shall not be less than 4 rpm, nor more than 6 rpm.

Mixing shall begin within 30 minutes after the cement has been added either to the water or aggregate, but when cement is charged into a mixer drum containing water or surface wet aggregate and when the temperature is above 32oC, this limit shall be reduced to 15 minutes. The limitation in time between the introduction of the cement to the aggregate and the beginning of the mixing may be waived when, in the judgement of the Engineer, the aggregate is sufficiently free from moisture, so that there will be no harmful effects on the cement.

When a truck mixer is used for transportation, the mixing time specified in Subsection 405.4.4 (3) at a stationary mixer may be reduced to 30 seconds and the mixing completed in a truck mixer. The mixing time in the truck mixer shall be as specified for truck mixing.

5. Transporting Mixed Concrete

Mixed concrete may only be transported to the delivery point in truck agitators or truck mixers operating at the speed designated by the manufacturers of the equipment as agitating speed, or in non-agitating hauling equipment, provided the consistency and workability of the mixed concrete upon discharge at the delivery point is suitable point for adequate placement and consolidation in place.

Truck agitators shall be loaded not to exceed the manufacturer's guaranteed capacity. They shall maintain the mixed concrete in a thoroughly mixed and uniform mass during hauling.

No additional mixing water shall be incorporated into the concrete during hauling or after arrival at the delivery point.

The rate of discharge of mixed concrete from truck mixers or agitators shall be controlled by the speed of rotation of the drum in the discharge direction with the discharge gate fully open.

When a truck mixer or agitator is used for transporting concrete to the delivery point, discharge shall be completed within one hour, or before 250 revolutions of the drum or blades, whichever comes first, after the introduction of the cement to the aggregates. Under conditions contributing to quick stiffening of the concrete or when the temperature of the concrete is 30oC, or above, a time less than one hour will be required.

6. Delivery of Mixed Concrete

The Contractor shall have sufficient plant capacity and transportation apparatus to ensure continuous delivery at the rate required. The rate of delivery of concrete during concreting operations shall be such as to provide for the proper handling, placing and finishing of the concrete. The rate shall be such that the interval between batches shall not exceed 20 minutes. The methods of delivering and handling the concrete shall be such as will facilitate placing of the minimum handling.

900.4 Concrete Surface Finishing: General

This shall be in accordance with Item 407, Concrete Structures.

900.5 Curing Concrete (See subsection 407)

900.6 Acceptance of Concrete

The strength of concrete shall be deemed acceptable if the average of 3 consecutive strength test results is equal to or exceed the specified strength and no individual test result falls below the specified strength by more than 15 %.

Concrete deemed to be not acceptable using the above criteria may be rejected unless contractor can provide evidence, by means of core tests, that the quality of concrete represented by the failed test result is acceptable in place. Three (3) cores shall be obtained from the affected area and cured and tested in accordance with AASHTO T24.

Concrete in the area represented by the cores will be deemed acceptable if the average of cores is equal to or at least 85 % and no sample core is less than 75 % of the specified strength otherwise it shall be rejected.

900.7 Method of Measurement

The quantity of structural concrete to be paid for will be the final quantity placed and accepted in the completed structure. No deduction will be made for the volume occupied by the pipe less than 100mm (4") in diameter nor for reinforcing steel, anchors, weep holes or expansion materials.

PROJECT TECHNICAL SPECIFICATIONS

900.8 Basis of Payment

The accepted quantities, measured as prescribed in Section 900.5, shall be paid for at the contract unit price for each of the pay item listed below that is included in the Bill of Quantities.

Payment shall constitute full compensation for furnishing, placing and finishing concrete including all labor, equipment, tools and incidentals necessary to complete the work prescribed in the item.

Payment will be made under:

Pay Item Number	Description	Unit of Measurement
900	REINFORCED CONCRETE	CUBIC METER

ITEM 902 – REINFORCING STEEL (*part of ITEM 900)

902.1 Description

This Item shall consist of furnishing, bending, fabricating and placing of steel reinforcement of the type, size, shape and grade required in accordance with this Specification and in conformity with the requirements shown on the Plans or as directed by the Engineer.

902.2 Material Requirements

Reinforcing steel shall meet the requirements of item 710, Reinforcing Steel and Wire Rope. Reinforcing steel bars shall conform to the requirements of the following Specifications:

Deformed & Plain Billet Steel Bars for concrete Reinforcement	ASTM A 615
Bars for concrete Reinforcement	AASHTO M 31
Deformed Rail - Steel and Plain Bars for Concrete Reinforcement	ASTM A 616
Deformed A x b - Steel and Plain Bars for Concrete Reinforcement	ASTM A 617

If reinforcing bars are to be welded, these ASTM specifications shall be supplemented by requirements assuring satisfactory weldability.

Bar and rod mats for concrete reinforcement	ASTM A 187
Cold-Drawn Steel Wire for concrete reinforcement	ASTM A 82
Welded steel wire fabric for concrete reinforcement	AASHTO M 32
	ASTM A 185
	AASHTO M55 except that the weld shear strength requirement of those specification shall be extended to include a wire size differential up to and including six gages.

Wire and Strands for prestressed concrete	ASTM A 416
Used in making strands for post-tensioning shall be cold- drawn and either stress-relieved in the case of uncoated strands, or hot dip galvanized in the case of galvanized strands.	ASTM A 421

High strength alloy steel bar for post- tensioning shall be proof stressed to 90 % of the granted tensile strength. After proof stressing, the bars shall conform to the following minimum properties:

Tensile strength fs'	1000 MPa
Yield strength (0.2 offset)	0.90 fs'
Elongation at rupture in 20 diameter	4 percent
Reduction of area at rupture	25 percent
Structural steel	ASTM A 36
Steel Pipe for concrete-filled pipe columns	ASTM A 53
Cast-Iron Pipe for composite columns	ASTM A 377

4.4.3 Construction Requirements

902.3.1 Order Lists

Before materials are ordered, all order lists and bending diagrams shall be furnished by the Contractor, for approval of the Engineer. The approval of order lists and bending diagrams by the Engineer shall in no way relieve the Contractor of responsibility for the correctness of such lists and diagrams. Any expense incident to the revisions of materials furnished in accordance with such lists and diagrams to make them comply with the Plans shall be borne by the Contractor.

902.3.2 Protection of Material

Steel reinforcement shall be stored above the surface of the ground upon platforms, skids, or other supports and shall be protected as far as practicable from mechanical injury and surface deterioration caused by exposure to conditions producing rust. When placed in the work, reinforcement shall be free from dirt, detrimental rust, loose scale, paint, grease, oil, or other foreign materials. Reinforcement shall be free from injurious defects such as cracks and laminations. Rust, surface seams, surface irregularities or mill scale will not be cause for rejection, provided the minimum dimensions, cross sectional area and tensile properties of a hand wire brushed specimen meets the physical requirements for the size and grade of steel specified.

902.3.3 Bending

All reinforcing bars requiring bending shall be cold-bent to the shapes shown on the Plans or required by the Engineer. Bars shall be bent around a circular pin having the following diameters (D) in relation to the diameter of the bar (d):

PROJECT TECHNICAL SPECIFICATIONS

Nominal diameter, d, mm	Pin diameter (D)
10 to 20	6d
25 to 28	8d
32 and greater	10d

Bends and hooks in stirrups or ties may be bent to the diameter of the principal bar enclosed therein.

902.3.4 Placing and Fastening

All steel reinforcement shall be accurately placed in the position shown on the Plans or required by the Engineer and firmly held there during the placing and setting of the concrete. Bars shall be tied at all intersections except where spacing is less than 300mm in each directions, in which case, alternate intersections shall be tied. Ties shall be fastened on the inside.

Distance from the forms shall be maintained by means of stays, blocks, ties, hangers, or other approved supports, so that it does not vary from the position indicated on the Plans by more than 6mm. Blocks for holding reinforcement from contact with the forms shall be precast mortar blocks of approved shapes and dimensions. Layers of bars shall be separated by precast mortar blocks or by other equally suitable devices. The use of pebbles, pieces of broken stone or brick, metal pipe and wooden blocks shall not be permitted. Unless otherwise shown on the Plans or required by the Engineer, the minimum distance between bars shall be 40mm. Reinforcement in any member shall be placed and then inspected and approved by the Engineer before the placing of concrete begins. Concrete placed in violation of this provision may be rejected and removal may be required. If fabric reinforcement is shipped in rolls, it shall be straightened before being placed. Bundled bars shall be tied together at not more than 1.8m intervals.

902.3.5 Splicing

All reinforcement shall be furnished in the full lengths indicated on the Plans. Splicing of bars, except where shown on the Plans, will not be permitted without the written approval of the Engineer. Splices shall be staggered as far as possible and with a minimum separation of not less than 40 bar diameters. Not more than one-third of the bars may be spliced in the same cross-section, except where shown on the Plans.

Unless otherwise shown on the Plans, bars shall be lapped a minimum distance of:

Splice Type	Grade 40 min. lap	Grade 60 min. lap	But not less than
Tension	24 bar dia	36 bar dia	300 mm
Compression	20 bar dia	24 bar dia	300 mm

In lapped splices, the bars shall be placed in contact and wired together. Lapped splices will not be permitted at locations where the concrete section is insufficient to provide minimum clear distance of one and one-third the maximum size of coarse aggregate between the splice and the nearest adjacent bar. Welding of reinforcing steel shall be done only if detailed on the Plans or if authorized by the Engineer in writing. Spiral reinforcement shall be spliced by lapping at least one and a half turns or by butt welding unless otherwise shown on the Plans.

902.3.6 Lapping of Bar Mat

Sheets of mesh or bar mat reinforcement shall overlap each other sufficiently to maintain a uniform strength and shall be securely fastened at the ends and edges. The overlap shall not be less than one mesh in width.

902.4 Method of Measurement

The quantity of reinforcing steel to be paid for will be the final quantity placed and accepted in the completed structure.

No allowance will be made for tie-wires, separators, wire chairs and other material used in fastening the reinforcing steel in place. If bars are substituted upon the Contractor's request and approved by the Engineer and as a result thereof more steel is used than specified, only the mass specified shall be measured for payment.

No measurement or payment will be made for splices added by the Contractor unless directed or approved by the Engineer.

When there is no item for reinforcing steel in the Bill of Quantities, costs will be considered as incidental to the other items in the Bill of Quantities.

902.5 Basis of Payment

The accepted quantity, measured as prescribed in Section 404.4, shall be paid for at the contract unit price for Reinforcing Steel which price and payment shall be full compensation for furnishing and placing all materials, including all labor, equipment, tools and incidentals necessary to complete the work prescribed in this Item.

Payment will be made under:

Pay Item Number	Description	Unit of Measurement
900	REINFORCED CONCRETE (*REINFORCING STEEL)	KILOGRAMS

ITEM 1718(2) – STORM DRAIN, 100MM CHB NON-LOAD BEARING (INCLUDING REINFORCING STEEL)

1718(2).1 Description

This item shall consist of furnishing labor, materials, equipment and minor tools for the laying of Concrete Hollow Blocks including concrete mortar fill and reinforcing bars.

1718(2).1.2 Material Requirements

Masonry Mortar:

Sand :

ASTM C 35– 67

Portland Cement:

ASTM C 150 or PNS 07; Type 1.

Water:

Clean and free from deleterious substances.

PROJECT TECHNICAL SPECIFICATIONS

Mixes:

Cement mortar shall either be 1 part Portland cement 2 parts fine aggregate by volume, but not more than 1 part Portland cement and 3 parts sand.

1718(2).3 Method of Measurement

The accepted quantities, measured as prescribed in section 1046(2)a1.1 shall be paid for at the contract unit price for the laying of CHB including concrete mortar fill and reinforcing bars which price and payment shall be full compensation for furnishings and placing all materials, including all labor, equipment, tools, and incidentals necessary to complete the work prescribed in this item.

1718(2).3 Basis of Payment

Payment will be made under:

Pay Item Number	Description	Unit of Measurement
1718(2)	STORM DRAIN, 100MM CHB NON-LOAD BEARING (INCLUDING REINFORCING STEEL)	SQUARE METER

ITEM 1027(1) - CEMENT PLASTER FINISH

1027.1 Description

This Item shall consist of furnishing all cement plaster materials, labor, tools and equipment required in undertaking cement plaster finish as shown on the Plans and in accordance with this Specification.

1027.2 Material Requirements

Manufactured materials shall be delivered in the manufacturer's original unbroken packages or containers which are labelled plainly with the manufacturer's name and trademark.

1027.2.1 Cement

Portland cement shall conform with the requirements as defined in Item 700, Hydraulic Cement.

1027.2.2 Hydrated Lime

Hydrated lime shall conform with the requirements as defined in item 701, Hydrated Lime.

1027.2.3 Fine Aggregates

Fine aggregates shall be clean, washed sharp river sand and free from dirt, clay, organic matter or other deleterious substances. Sand derived from crushed gravel or stone may be used with the Engineer's approval but in no case shall such sand be derived from stone unsuitable for use as coarse aggregates.

1027.3 Construction Requirements

1027.3.1 Mixture

Mortar mixture for brown coat shall be freshly prepared and uniformly mixed in the proportion by volume of one part Portland Cement, three (3) parts sand and one fourth (1/4) part hydrated lime.

Finish coat shall be pure Portland Cement properly graded conforming to the requirements of Item 700, Hydraulic Cement and mixed with water to approved consistency and plasticity.

1027.3.2 Surface Preparation

After removals of formworks reinforce concrete surfaces shall be roughened to improve adhesion of cement plaster. Surfaces to receive cement plaster shall be cleaned of all projections, dust, loose particles, grease and bond breakers. Before any application of brown coat is commenced all surfaces that are to be plastered shall be wetted thoroughly with clean water to produce a uniformly moist condition.

1027.3.3 Application

Brown coat mortar mix shall be applied with sufficient pressure starting from the lower portion of the surface to fill the grooved and to prevent air pockets in the reinforced concrete/masonry work and avoid mortar mix drooping. The brown coat shall be lightly broomed/ or scratch before surface had properly set and allowed to cure. Finish coat shall not be applied until after the brown coat has seasoned for seven days and corrective measures had been done by the Contractor on surfaces that are defective. Just before the application of the finish coat, the brown coat surface shall be evenly moistened with potable water. Finish coat shall be floated first to a true and even surface, then troweled in a manner that will force the mixture to penetrate into the brown coat. Surfaces applied with finish coat shall then be smooth with paper in a circular motion to remove trowel marks, checks and blemishes. All cement plaster finish shall be 10 mm thick minimum on vertical concrete and/or masonry walls.

Wherever indicated on the Plans to be "Simulated Red Brick Finish", the Contractor shall render brick design on plaster surface before brown coat had properly set and then allowed to dry. Cement plaster shall not be applied directly to:

- Concrete or masonry surface that had been coated with bituminous compound and,
- Surfaces that had been painted and previously plastered.

1027.3.4 Workmanship

Cement plaster finish shall be true to details and plumb. Finish surface shall have no visible junction marks where one (1) Day's work adjoins the other. Where directed by the Engineer or as shown on the Plans vertical and horizontal groove joints shall be 25 mm wide and 10 mm deep.

1027.4 Method of Measurement

All cement plaster finish shall be measured in square meters or part thereof for work actually completed in the building.

1027.5 Basis of Payment

PROJECT TECHNICAL SPECIFICATIONS

The work quantified and determined as provided in the Bill of Quantities shall be paid for at the Contract Unit Price which price constitutes full compensation including labor, materials, tools and equipment and incidentals necessary to complete this Item.

Payment will be made under:

Pay Item Number	Description	Unit of Measurement
1027(1)	CEMENT PLASTER FINISH	SQUARE METER

ITEM 503 – DRAINAGE STEEL GRATING WITH FRAME (TRENCH GRATING)

503.1 Description

This item shall consist of furnishing labor, materials, equipment and minor tools for the construction of the drainage steel grating with frame (trench grating) in accordance with the details, and at the locations, shown on the plans, or as required by the Engineer, and in accordance with the Specifications.

503.2 Material Requirements

Material for the drainage steel grating with frame (trench grating) should be 40mm x 5mm Flat Bar with 10mm dia. Round Bar Cross Rod.

503.3 Damaged Units

The Contractor shall replace panels and other components of work that have been damaged at his own expense. Prior to the substantial completion of the drainage steel grating with frame (trench grating), the Contractor shall clean the surfaces of the drainage steel grating with frame (trench grating).

503.4 Cleanup

The Contractor shall cleanup site and dispose of all debris, trash, etc. to the satisfaction of the Engineer.

503.5 Method of Measurement

The accepted quantities, measured as prescribed in section 503.1 shall be paid for at the contract unit price for the installation of the drainage steel grating with frame (trench grating) including its accessories as indicated in the Detailed Engineering Design (DED) which price and payment shall be full compensation for furnishings and placing all materials, including all labor, equipment, tools, and incidentals necessary to complete the work prescribed in this item.

503.5 Basis of Payment

Payment will be made under:

Pay Item Number	Description	Unit of Measurement
503	DRAINAGE STEEL GRATING WITH FRAME (TRENCH GRATING)	KILOGRAMS

ITEM 1032(1)c – PAINTING WORKS

1032(1)c.1 Description

This item shall consist of furnishing labor, materials, equipment and minor tools for the painting works of the steel canal grills in accordance with the details, and at the locations, shown on the plans, or as required by the Engineer, and in accordance with the Specifications.

1032(1)c.2 Material Requirements

Material for the painting works of the steel canal grills should be a Red Oxide Metal Primer

1032(1)c.3 Damaged Units

The Contractor shall replace panels and other components of work that have been damaged at his own expense. Prior to the substantial completion of painting works of the steel canal grills, the Contractor shall clean the surfaces of the steel canal grills.

1032(1)c.4 Cleanup

The Contractor shall cleanup site and dispose of all debris, trash, etc. to the satisfaction of the Engineer.

1032(1)c.5 Method of Measurement

The accepted quantities, measured as prescribed in section 1032(1)c.1 shall be paid for at the contract unit price for the painting works of the steel canal grills as indicated in the Detailed Engineering Design (DED) which price and payment shall be full compensation for furnishings and placing all materials, including all labor, equipment, tools, and incidentals necessary to complete the work prescribed in this item.

1032(1)c.6 Basis of Payment

Payment will be made under:

Pay Item Number	Description	Unit of Measurement
1032(1)c	PAINTING WORKS	SQUARE METER

CONSTRUCTION
FIRM / COMPANY
LOGO

Republic of the Philippines
(NAME OF CONSTRUCTION FIRM / COMPANY)
Company Address

BILL OF QUANTITIES

PROJECT IDENTIFICATION NO.:

Project Title:	REPAIR / UPGRADING OF CTE-ELS DRAINAGE SYSTEM		
Location:	BSU LA TRINIDAD CAMPUS, KM.5, BALILI, LA TRINIDAD, BENGUET		
ABC:	PhP. 5000,000.00		
Project Duration:	30 c.d.	Inclusive of	4 Unworkable days
Implementation Mode:	By Contract		

Project Description:	Equipment Needed		Equipment Needed		Technical Personnel	
	Qty.	Description	Qty.		No.	Description
	1	One Bagger Mixer			1	Site Engineer
CANAL-1, L= 70 L.M.	1	Plate Compactor (5HP)			1	Safety Officer (Part Time)
CANAL-2, L= 12 L.M.					1	Construction Foreman
CANAL-3, L= 77 L.M.						

Item No.	Description	% Weight	Quantity	Unit	Unit Cost	Total Cost
B.5	Project Billboard / Signboard	-	1.00	each	-	-
B.7	Occupational Safety and Health Program	-	1.00	month	-	-
B.9	Mobilization / Demobilization	-	1.00	lump sum	-	-
101(1)	Removal of Structures and Obstruction	-	1.00	lump sum	-	-
103(1)a	Structure Excavation (Common Soil)	-	48.34	cu.m.	-	-
804(1)a	Embankment from Structure Overhaul (*including Overhaul)	-	48.34	cu.m.	-	-
804(4)	Gravel Bedding	-	6.18	cu.m.	-	-
900	Reinforced Concrete	-	12.37	cu.m.	-	-
1718(2)	Storm Drain (100mm CHB Non-Load Bearing Including RSB)	-	185.60	sq.m.	-	-
1027(1)	Cement Plaster Finish	-	185.60	sq.m.	-	-
503	Drainage Steel Grating with Frame (Trench Grating)	-	1,432.80	kgs.	-	-
1032(1)c	Painting Works (*for Steel Canal Grills)	-	44.00	sq.m.	-	-
Total Bid Cost		-				-

Breakdown of Bid Cost					TOTAL COST
A.	Direct Cost				-
	Equipment				-
	Labor				-
	Materials				-
B.	Indirect Cost				-
	OCM				-
	Contractor's Profit				-
	Taxes				-
C.	Project Cost (Total A + B)				-

Total Bid Cost in Figure -

TOTAL BID AMOUNT IN WORDS:

I hereby submit the foregoing bid; and that I understood the terms and conditions of the contract.

(Signature)

NAME OF BIDDER/CONTRACTOR

POSITION

NAME OF CONSTRUCTION FIRM/ COMPANY

DATE: _____

DETAILED UNIT PRICE ANALYSIS (DUPA)

Item No./Description : B.5 Project Billboard / Signboard
 Quantity : 1.00
 Unit of Measurement : each
 Output per hour :

	Designation	No. of Person/s	No. of Hour/s	Hourly Rate	Amount (PhP)
A.	Labor				
	a. Construction Foreman				
	b. Skilled Laborer				
	c. Unskilled Laborer				
	Sub - Total for A				-
	Name and Capacity	No of Unit/s	No. of Hour/s	Hourly Rate	Amount (PhP)
B.	Equipment				
	Minor Tools				-
	Sub - Total for B				-
	Name and Specification	Unit	Quantity	Unit Cost	Amount (PhP)
C.	Materials				
	a. Printed Billboard Tarpaulin (8' x 8')	sq.ft.	64		
	b. 1/4"x1.2mx2.44m Ordinary Plywood	pcs.	2		
	c. Good Lumber (Frames)	bd.ft.	35		
	d. Assorted CWNs	kg.	1		
	Sub - Total for C				-
D.	Total Direct Cost			(A+B+C)	-
E.	Overhead, Contingencies & Miscellaneous (OCM) Expenses			of D	-
F.	Contractor's Profit (CP)			of D	-
G.	Value Added Tax (VAT)			5% of (D+E+F)	-
H.	Total Indirect Cost			(E+F+G)	-
I.	Total Cost			(D+H)	-
J.	Unit Cost				-

DETAILED UNIT PRICE ANALYSIS (DUPA)

Item No./Description : B.7 Occupational Safety and Health Program
 Quantity : 1.00
 Unit of Measurement : month
 Output per hour :

Designation		No. of Person/s	No. of Hour/s	Hourly Rate	Amount (PhP)
A.	Labor				
	a. Safety Officer / Practitioner (part time)				
	Sub - Total for A				-
Name and Capacity		No of Unit/s	No. of Hour/s	Hourly Rate	Amount (PhP)
B.	Equipment				
	a. Assorted Safety Barricades and Enclosures				
	Sub - Total for B				-
Name and Specification		Unit	Quantity	Unit Cost	Amount (PhP)
C.	Materials				
	a. Safety First Signage (2' x 3')	sets	2		
	b. Warning Signs (2' x 3')	sets	2		
	c. Caution Tape, 100ft	roll	1		
	Sub - Total for C				-
D.	Total Direct Cost			(A+B+C)	-
E.	Overhead, Contingencies & Miscellaneous (OCM) Expenses		0%	of D	-
F.	Contractor's Profit (CP)			of D	-
G.	Value Added Tax (VAT)			5%	of (D+E+F)
H.	Total Indirect Cost			(E+F+G)	-
I.	Total Cost			(D+H)	-
J.	Unit Cost				-

DETAILED UNIT PRICE ANALYSIS (DUPA)

Item No./Description : B.9 Mobilization / Demobilization
 Quantity : 1.00
 Unit of Measurement : lump sum
 Output per hour :

	Designation	No. of Person/s	No. of Hour/s	Hourly Rate	Amount (PhP)
A.	Labor				
	a. Skilled Laborer				
	b. Unskilled Laborer				
	Sub - Total for A				-
	Name and Capacity	No of Unit/s	No. of Hour/s	Hourly Rate	Amount (PhP)
B.	Equipment				
	Minor Tools				-
	Sub - Total for B				-
	Name and Specification	Unit	Quantity	Unit Cost	Amount (PhP)
C.	Materials				
	Sub - Total for C				-
D.	Total Direct Cost			(A+B+C)	-
E.	Overhead, Contingencies & Miscellaneous (OCM) Expenses			0% of D	-
F.	Contractor's Profit (CP)			0% of D	-
G.	Value Added Tax (VAT)			5% of (D+E+F)	-
H.	Total Indirect Cost			(E+F+G)	-
I.	Total Cost			(D+H)	-
J.	Unit Cost				-

DETAILED UNIT PRICE ANALYSIS (DUPA)

Item No./Description : 101(1) Removal of Structures and Obstruction
 Quantity : 1.00
 Unit of Measurement : lump sum
 Output per hour : I.s.

	Designation	No. of Person/s	No. of Hour/s	Hourly Rate	Amount (PhP)
A.	Labor				
	a. Construction Foreman				
	b. Laborer				
	Sub - Total for A				-
	Name and Capacity	No of Unit/s	No. of Hour/s	Hourly Rate	Amount (PhP)
B.	Equipment				
	a. Minor Tools				-
	* Disposal area (within three (3) km.)				
	Sub - Total for B				-
	Name and Specification	Unit	Quantity	Unit Cost	Amount (PhP)
C.	Materials				
	Sub - Total for C				-
D.	Total Direct Cost			(A+B+C)	-
E.	Overhead, Contingencies & Miscellaneous (OCM) Expenses			of D	-
F.	Contractor's Profit (CP)			of D	-
G.	Value Added Tax (VAT)			5% of (D+E+F)	-
H.	Total Indirect Cost			(E+F+G)	-
I.	Total Cost			(D+H)	-
J.	Unit Cost				-

DETAILED UNIT PRICE ANALYSIS (DUPA)

Item No./Description : 103(1)a Structure Excavation (Common Soil)
 Quantity : 48.34
 Unit of Measurement : cu.m.
 Output per hour : m³

	Designation	No. of Person/s	No. of Hour/s	Hourly Rate	Amount (PhP)
A.	Labor				
	a. Construction Foreman				
	b. Laborers				
	Sub - Total for A				-
	Name and Capacity	No of Unit/s	No. of Hour/s	Hourly Rate	Amount (PhP)
B.	Equipment				
	a. Minor Tools				-
	Sub - Total for B				-
	Name and Specification	Unit	Quantity	Unit Cost	Amount (PhP)
C.	Materials				
	Sub - Total for C				-
D.	Total Direct Cost			(A+B+C)	-
E.	Overhead, Contingencies & Miscellaneous (OCM) Expenses			of D	-
F.	Contractor's Profit (CP)			of D	-
G.	Value Added Tax (VAT)			5% of (D+E+F)	-
H.	Total Indirect Cost			(E+F+G)	-
I.	Total Cost			(D+H)	-
J.	Unit Cost				-

DETAILED UNIT PRICE ANALYSIS (DUPA)

Item No./Description : 804(1)a Embankment from Structure Overhaul (*including Overhaul)
 Quantity : 48.34
 Unit of Measurement : cu.m.
 Output per hour : m³

	Designation	No. of Person/s	No. of Hour/s	Hourly Rate	Amount (PhP)
A.	Labor				
	a. Construction Foreman				
	b. Laborers				
	Sub - Total for A				-
	Name and Capacity	No of Unit/s	No. of Hour/s	Hourly Rate	Amount (PhP)
B.	Equipment				
	a. Minor Tools				-
	Sub - Total for B				-
	Name and Specification	Unit	Quantity	Unit Cost	Amount (PhP)
C.	Materials				
	Sub - Total for C				-
D.	Total Direct Cost			(A+B+C)	-
E.	Overhead, Contingencies & Miscellaneous (OCM) Expenses			of D	-
F.	Contractor's Profit (CP)			of D	-
G.	Value Added Tax (VAT)			5% of (D+E+F)	-
H.	Total Indirect Cost			(E+F+G)	-
I.	Total Cost			(D+H)	-
J.	Unit Cost				-

DETAILED UNIT PRICE ANALYSIS (DUPA)

Item No./Description : 804(4) Gravel Bedding
 Quantity : 6.18
 Unit of Measurement : cu.m.
 Output per hour : m³

Designation		No. of Person/s	No. of Hour/s	Hourly Rate	Amount (PhP)
A.	Labor				
	a. Construction Foreman				
	b. Unskilled Laborer				
	Sub - Total for A				-
Name and Capacity		No of Unit/s	No. of Hour/s	Hourly Rate	Amount (PhP)
B.	Equipment				
	a. Plate Compactor (5HP)				-
	b. Minor Tools				-
	Sub - Total for B				-
Name and Specification		Unit	Quantity	Unit Cost	Amount (PhP)
C.	Materials				
	a. Gravel Bedding (G1) (w/ 5% Shrinkage Factor)	cu.m.	6		-
	Sub - Total for C				-
D.	Total Direct Cost			(A+B+C)	-
E.	Overhead, Contingencies & Miscellaneous (OCM) Expenses			of D	-
F.	Contractor's Profit (CP)			of D	-
G.	Value Added Tax (VAT)			5% of (D+E+F)	-
H.	Total Indirect Cost			(E+F+G)	-
I.	Total Cost			(D+H)	-
J.	Unit Cost				-

DETAILED UNIT PRICE ANALYSIS (DUPA)

Item No./Description : 900 Reinforced Concrete
 Quantity : 12.37
 Unit of Measurement : cu.m.
 Output per hour : m³

	Designation	No. of Person/s	No. of Hour/s	Hourly Rate	Amount (PhP)
A.	Labor				
	* <i>Concreting (manual mixing)</i>				
	a. Construction Foreman				-
	b. Skilled Laborer				-
	c. Unskilled Laborer				-
	* <i>RSB Works</i>				
	a. Construction Foreman				-
	b. Skilled Laborer				-
	c. Unskilled Laborer				-
	Sub - Total for A				
	Name and Capacity	No of Unit/s	No. of Hour/s	Hourly Rate	Amount (PhP)
B.	Equipment				
	a. Minor Tools				-
	Sub - Total for B				
	Name and Specification	Unit	Quantity	Unit Cost	Amount (PhP)
C.	Materials				
	* <i>Concrete (3000 psi)</i> 12.40 cu.m.				
	a. Portland Cement	bags	113		-
	b. Sand	cu.m.	7		-
	c. G1/2 Gravel	cu.m.	13		-
	* <i>Reinforcing Steel</i> 268.50 kgs.				
	d. 10mm dia. RSB, GRADE 33	kgs.	295		-
f. #16 G.I. Tie Wire	kgs.	5		-	
Sub - Total for C					-
D.	Total Direct Cost			(A+B+C)	-
E.	Overhead, Contingencies & Miscellaneous (OCM) Expenses			of D	-
F.	Contractor's Profit (CP)			of D	-
G.	Value Added Tax (VAT)			5% of (D+E+F)	-
H.	Total Indirect Cost			(E+F+G)	-
I.	Total Cost			(D+H)	-
J.	Unit Cost				-

DETAILED UNIT PRICE ANALYSIS (DUPA)

Item No./Description : 1718(2) Storm Drain (100mm CHB Non-Load Bearing Including RSB)
 Quantity : 185.60
 Unit of Measurement : sq.m.
 Output per hour : m²

	Designation	No. of Person/s	No. of Hour/s	Hourly Rate	Amount (PhP)
A.	Labor				
	a. Construction Foreman				-
	b. Skilled Laborer				-
	c. Unskilled Laborer				-
	Sub - Total for A				-
	Name and Capacity	No of Unit/s	No. of Hour/s	Hourly Rate	Amount (PhP)
B.	Equipment				
	a. One-bagger mixer				-
	b. Minor Tools				-
	Sub - Total for B				-
	Name and Specification	Unit	Quantity	Unit Cost	Amount (PhP)
C.	Materials				
	a. 100mm thk. CHB (N0n-Load Bearing)	pcs.	2320		-
	b. Cement	bags	98		-
	c. Sand	cu.m.	8		-
	d. 10mm dia. Reinforcing Steel, GRADE33	kgs.	602		-
	e. #16 G.I. Tie Wire	kgs.	10		-
	Sub - Total for C				-
D.	Total Direct Cost			(A+B+C)	-
E.	Overhead, Contingencies & Miscellaneous (OCM) Expenses			of D	-
F.	Contractor's Profit (CP)			of D	-
G.	Value Added Tax (VAT)			5% of (D+E+F)	-
H.	Total Indirect Cost			(E+F+G)	-
I.	Total Cost			(D+H)	-
J.	Unit Cost				-

DETAILED UNIT PRICE ANALYSIS (DUPA)

Item No./Description : 1027(1) Cement Plaster Finish
 Quantity : 185.60
 Unit of Measurement : sq.m.
 Output per hour : m²

Designation		No. of Person/s	No. of Hour/s	Hourly Rate	Amount (PhP)
A.	Labor				
	a. Construction Foreman				-
	b. Skilled Laborer				-
	c. Unskilled Laborer				-
	Sub - Total for A				-
Name and Capacity		No of Unit/s	No. of Hour/s	Hourly Rate	Amount (PhP)
B.	Equipment				
	a. Minor Tools				-
	Sub - Total for B				-
Name and Specification		Unit	Quantity	Unit Cost	Amount (PhP)
C.	Materials				
	a. Cement	bags	62		-
	b. Sand	cu.m.	6		-
	Sub - Total for C				-
D.	Total Direct Cost			(A+B+C)	-
E.	Overhead, Contingencies & Miscellaneous (OCM) Expenses			of D	-
F.	Contractor's Profit (CP)			of D	-
G.	Value Added Tax (VAT)			5% of (D+E+F)	-
H.	Total Indirect Cost			(E+F+G)	-
I.	Total Cost			(D+H)	-
J.	Unit Cost				-

DETAILED UNIT PRICE ANALYSIS (DUPA)

Item No./Description : 503 Drainage Steel Grating with Frame (Trench Grating)
 Quantity : 1432.80
 Unit of Measurement : kgs.
 Output per hour : kgs.

	Designation	No. of Person/s	No. of Hour/s	Hourly Rate	Amount (PhP)
A.	Labor				
	a. Construction Foreman				-
	b. Skilled Laborer				-
	c. Laborer				-
	Sub - Total for A				-
	Name and Capacity	No of Unit/s	No. of Hour/s	Hourly Rate	Amount (PhP)
B.	Equipment				
	a. Bar Cutter				-
	b. Welding Machine				-
	c. Minor Tools				-
	Sub - Total for B				-
	Name and Specification	Unit	Quantity	Unit Cost	Amount (PhP)
C.	Materials				
	a. 40mm x 5mm Flat Bar	kg.	1504		-
	b. 10mm dia. Round Bar Cross Rod	kg.	29		-
	c. Welding Rod (1 kg./200 kg. of Steel)	kg.	7		-
	d. Miscellaneous materials	lump sum	1		-
Sub - Total for C					-
D.	Total Direct Cost			(A+B+C)	-
E.	Overhead, Contingencies & Miscellaneous (OCM) Expenses			of D	-
F.	Contractor's Profit (CP)			of D	-
G.	Value Added Tax (VAT)			5% of (D+E+F)	-
H.	Total Indirect Cost			(E+F+G)	-
I.	Total Cost			(D+H)	-
J.	Unit Cost				-

DETAILED UNIT PRICE ANALYSIS (DUPA)

Item No./Description : 1032(1)c Painting Works (*for Steel Canal Grills)
 Quantity : 44.00
 Unit of Measurement : sq.m.
 Output per hour : m²

Designation		No. of Person/s	No. of Hour/s	Hourly Rate	Amount (PhP)
A.	Labor				
	a. Construction Foreman				-
	b. Skilled Laborer				-
	c. Laborer				-
Sub - Total for A					-
Name and Capacity		No of Unit/s	No. of Hour/s	Hourly Rate	Amount (PhP)
B.	Equipment				
	a. Minor Tools				-
Sub - Total for B					-
Name and Specification		Unit	Quantity	Unit Cost	Amount (PhP)
C.	Materials				
	a. Red Oxide Metal Primer	liters	9		-
	b. Paint Thinner	liters	3		-
	c. Miscellaneous materials	lump sum	1		-
Sub - Total for C					-
D.	Total Direct Cost			(A+B+C)	-
E.	Overhead, Contingencies & Miscellaneous (OCM) Expenses			of D	-
F.	Contractor's Profit (CP)			of D	-
G.	Value Added Tax (VAT)			5% of (D+E+F)	-
H.	Total Indirect Cost			(E+F+G)	-
I.	Total Cost			(D+H)	-
J.	Unit Cost				-

Omnibus Sworn Statement

REPUBLIC OF THE PHILIPPINES)
CITY/MUNICIPALITY OF _____) S.S.

AFFIDAVIT

I, [Name of Affiant], of legal age, [Civil Status], [Nationality], and residing at [Address of Affiant], after having been duly sworn in accordance with law, do hereby depose and state that:

1. **Select one, delete the other:**

If a sole proprietorship: I am the sole proprietor or authorized representative of [Name of Bidder] with office address at [address of Bidder];

If a partnership, corporation, cooperative, or joint venture: I am the duly authorized and designated representative of [Name of Bidder] with office address at [address of Bidder];

2. **Select one, delete the other:**

[If a sole proprietorship:] As the owner and sole proprietor, or authorized representative of [Name of Bidder], I have full power and authority to do, execute and perform any and all acts necessary to participate, submit the bid, and to sign and execute the ensuing contract for [Name of the Project] of the [Name of the Procuring Entity], as shown in the attached duly notarized Special Power of Attorney;

[If a partnership, corporation, cooperative, or joint venture:] I am granted full power and authority to do, execute and perform any and all acts necessary to participate, submit the bid, and to sign and execute the ensuing contract for [Name of the Project] of the [Name of the Procuring Entity], as shown in the attached [state title of attached document showing proof of authorization (e.g., duly notarized Secretary's Certificate, Board/Partnership Resolution, or Special Power of Attorney, whichever is applicable);];

3. [Name of Bidder] is not "blacklisted" or barred from bidding by the Government of the Philippines or any of its agencies, offices, corporations, or Local Government Units, foreign government/foreign or international financing institution whose blacklisting rules have been recognized by the Government Procurement Policy Board, **by itself or by relation, membership, association, affiliation, or controlling interest with another blacklisted person or entity as defined and provided for in the Uniform Guidelines on Blacklisting;**

4. Each of the documents submitted in satisfaction of the bidding requirements is an authentic copy of the original, complete, and all statements and information provided therein are true and correct;

5. [Name of Bidder] is authorizing the Head of the Procuring Entity or its duly authorized representative(s) to verify all the documents submitted;

6. **Select one, delete the rest:**

If a sole proprietorship: The owner or sole proprietor is not related to the Head of the Procuring Entity, members of the Bids and Awards Committee (BAC), the Technical

Working Group, and the BAC Secretariat, the head of the Project Management Office or the end-user unit, and the project consultants by consanguinity or affinity up to the third civil degree;

If a partnership or cooperative: None of the officers and members of [Name of Bidder] is related to the Head of the Procuring Entity, members of the Bids and Awards Committee (BAC), the Technical Working Group, and the BAC Secretariat, the head of the Project Management Office or the end-user unit, and the project consultants by consanguinity or affinity up to the third civil degree;

If a corporation or joint venture: None of the officers, directors, and controlling stockholders of [Name of Bidder] is related to the Head of the Procuring Entity, members of the Bids and Awards Committee (BAC), the Technical Working Group, and the BAC Secretariat, the head of the Project Management Office or the end-user unit, and the project consultants by consanguinity or affinity up to the third civil degree;

7. [Name of Bidder] complies with existing labor laws and standards; and
8. [Name of Bidder] is aware of and has undertaken the responsibilities as a Bidder in compliance with the Philippine Bidding Documents, which includes:
 - a) Carefully examining all of the Bidding Documents;
 - b) Acknowledging all conditions, local or otherwise, affecting the implementation of the Contract;
 - c) Making an estimate of the facilities available and needed for the contract to be bid, if any; and
 - d) Inquiring or securing Supplemental/Bid Bulletin(s) issued for the [Name of the Project].
9. [Name of Bidder] did not give or pay directly or indirectly, any commission, amount, fee, or any form of consideration, pecuniary or otherwise, to any person or official, personnel or representative of the government in relation to any procurement project or activity.
10. **In case advance payment was made or given, failure to perform or deliver any of the obligations and undertakings in the contract shall be sufficient grounds to constitute criminal liability for Swindling (Estafa) or the commission of fraud with unfaithfulness or abuse of confidence through misappropriating or converting any payment received by a person or entity under an obligation involving the duty to deliver certain goods or services, to the prejudice of the public and the government of the Philippines pursuant to Article 315 of Act No. 3815 s. 1930, as amended, or the Revised Penal Code.**

IN WITNESS WHEREOF, I have hereunto set my hand this ___ day of ___, 20__ at _____, Philippines.

[Insert NAME OF BIDDER OR ITS AUTHORIZED REPRESENTATIVE]

[Insert signatory's legal capacity] Affiant

[Jurat]

[Format shall be based on the latest Rules on Notarial Practice]



Republic of the Philippines
BENGUET STATE UNIVERSITY
La Trinidad, Benguet
Tel No. (074) 661-1839



CERTIFICATE OF SITE INSPECTION REPORT

This is to certify that _____
(Name of Bidder or Technical Representative)

of _____
(Name of Entity)

with office address at _____

_____ had inspected the site/location for
the project: _____

located at _____

This certification is issued to Mr /Ms _____
(Name of Bidder or Representative)

as a part of his/her Technical Proposal.

Issued this _____ of _____, 2025.

Note: to be signed by the authorized representative from Project Management Unit (PMU)