



Republic of the Philippines
Benguet State University

2601 La Trinidad, Benguet
 www.bsu.edu.ph

Telefax No. (074) 661-1839; Email:procurement@bsu.edu.ph

REQUEST FOR QUOTATION (RFQ)
(ALL ENTRIES ARE MANDATORY)

Name of Owner/ Corporation/ Cooperative/

Agency: _____

Name of Business : _____

Address: _____

Email address: _____ Telephone No. _____

QUOTATION NO. 273

DATE: MAR 07 2025

P.R. NO. : 2025-02-336

ABC: Php. 250,000.00

FUND SOURCE: SP

The Benguet State University through its Bids and Awards Committee will undertake USVP for the item/s listed below under the following terms and conditions:

- All entries must be written legibly and accurately.
- Delivery period is within 15 calendar days.
- Warranty period shall be for a minimum of three months, in case of expendable supplies, and a minimum of one year in case of non- expendable supplies from date of acceptance by the University.
- Price validity shall be for a period of 30 calendar days.
- Compliance with specifications: Kindly specify in the column provided below whether the offer fully complies with the specifications or a counter offer.
- Deadline of submission of quotation is on or before 5:00 PM of March 14, 2025. **Offers may be submitted in sealed or open quotation in person, or through facsimile (074-661-1839) or email (procurement@bsu.edu.ph)**
- The item/s shall be procured by: a) line item; b) lot; c) sub-lot
- Business Permit Number : _____, date of issue: _____, place of issue: _____
 (If renewal of Business Permit is still on process, please indicate OR No: _____, date of OR : _____ for the payment of renewal).
- * PhilGEPS Registration Number: _____

JOSEL M. FLORENTIN
 Chairperson, BAC (Goods & Services)

College/Dept./Office: **BAPTC**

Item No.	Qty	Unit	Item	Technical Specifications		ABC	Unit Cost	Total Cost	
				COMPLY	COUNTER OFFER				
Fabrication, Delivery and Installation of Stainless Steel Signage									
1	1	lot	Fabrication, Delivery and Installation of Stainless Steel Signages for BAPTC Buildings (design attached)			₱ 250,000.00			
			XXXXX						
TOTAL							250,000.00		

Counter offers:
 Delivery Period: _____
 Warranty: _____
 Price Validity: _____

We hereby submit our quotations, accept the general conditions for the above items and be bound by our offer.

 Signature over Printed Name

 Date and Time of Receipt of RFQ

* Not a ground for disqualification for failure to indicate but required as a condition for award.

Letterings

Material: Stainless Steel
Font Style: Times New Roman
Font Size: 0.40 m

Supports:

Provide supports per letter to be attached to concrete wall with tox screws.


SPOT TRADING BLDG 1 

SPOT TRADING BLDG 2 

SPOT TRADING BLDG 3 

COLD STORAGE BLDG 

DRY STORAGE BLDG 

 BENGUET AGRI-PINOY TRADING CENTER	Stainless Steel Signages for BAPTC Buildings	Prepared By: RAYMART C. TARASI	Recommending Approval: ATTY. ANDRES ARNOLD WADINGAN LAMPACAN	Approved By: FELIPE SALAING COMILA	01
Strawberry Fields, Betag, La Trinidad, Benguet	Project Title	UNIT OFFICER II, GSU	GENERAL MANAGER, BAPTC	UNIVERSITY PRESIDENT, BSU	A

Letterings

Material: Stainless Steel

Font Style: Times New Roman

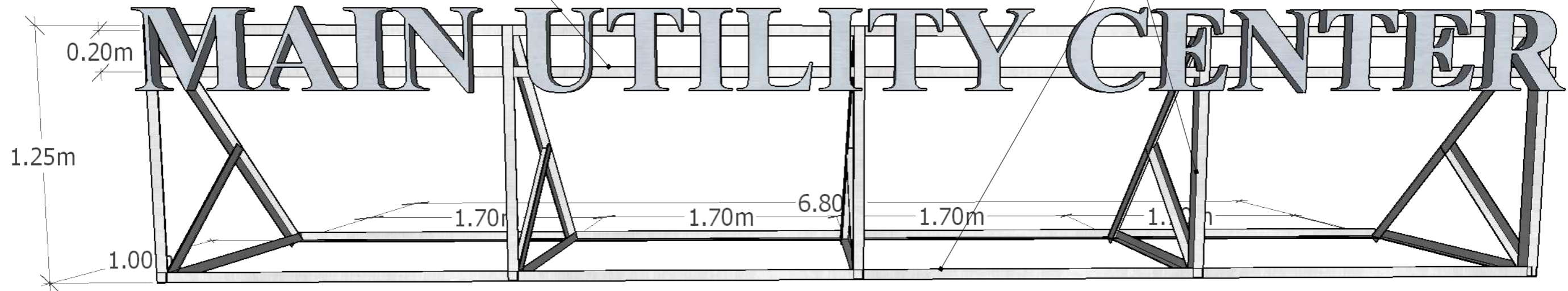
Font Size: 0.40 m


Provide 2 pcs -1"x2"
Stainless Steel Tubular
Attached to Existing Wall



Frame: 1"x2" Stainless
Steel Tubular

Support-2"x2"x1/4"
Angle Bar, Gray Finish



 <p>BENGUET AGRI-PINOY TRADING CENTER</p> <p>Strawberry Fields, Betag, La Trinidad, Benguet</p>	<p>Stainless Steel Signages for BAPTC Buildings</p> <p>Project Title</p>	Prepared By:	Recommending Approval:	Approved By:	<p>02</p> <p>A</p>
		<p>RAYMART C. TARASI</p> <p>UNIT OFFICER II, GSU</p>	<p>ATTY. ANDRES ARNOLD WADINGAN LAMPACAN</p> <p>GENERAL MANAGER, BAPTC</p>	<p>FELIPE SALAING COMILA</p> <p>UNIVERSITY PRESIDENT, BSU</p>	

Letterings

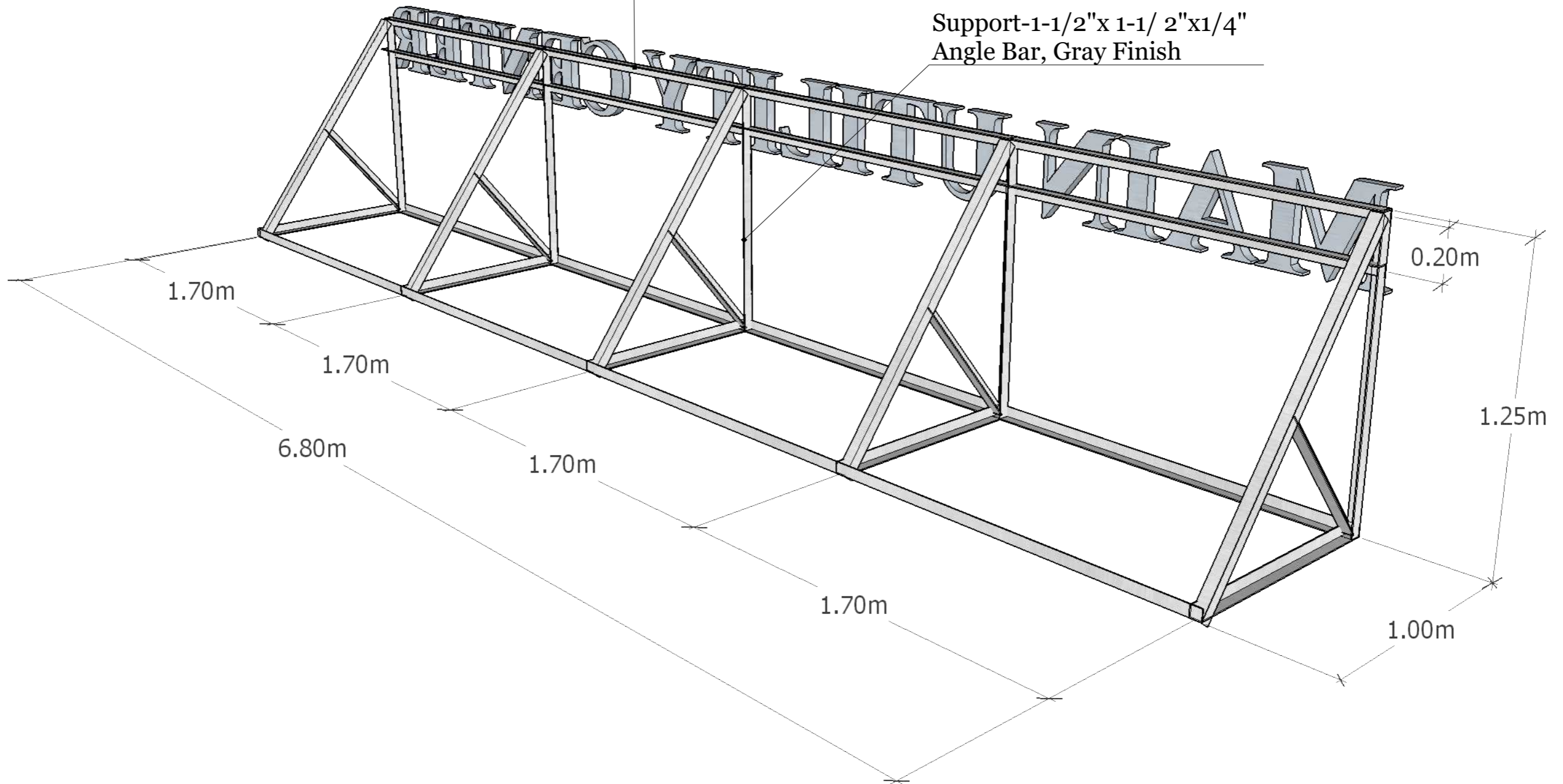
Material: Stainless Steel


Font Style: Times New Roman

Font Size: 0.40 m

Frame: 2 pcs - 1"x2"
Stainless Steel Tubular

Support-1-1/2"x 1-1/ 2"x1/4"
Angle Bar, Gray Finish



 <p>BENGUET AGRI-PINOY TRADING CENTER</p>	<p>Stainless Steel Signages for BAPTC Buildings</p>	<p>Prepared By: RAYMART C. TARASI UNIT OFFICER II, GSU</p>	<p>Recommending Approval: ATTY. ANDRES ARNOLD WADINGAN LAMPACAN GENERAL MANAGER, BAPTC</p>	<p>Approved By: FELIPE SALAING COMILA UNIVERSITY PRESIDENT, BSU</p>	<p>03</p>
<p>Strawberry Fields, Betag, La Trinidad, Benguet</p>	<p>Project Title</p>				<p>A</p>