



Republic of the Philippines  
**Benguet State University**  
 2601 La Trinidad, Benguet  
 www.bsu.edu.ph  
 Telefax No. (074) 661-1839; Email: procurement@bsu.edu.ph

**REQUEST FOR QUOTATION (RFQ)**  
 (ALL ENTRIES ARE MANDATORY)

Name of Owner/ Corporation/ Cooperative/ Agency: \_\_\_\_\_ QUOTATION NO. 980  
 Name of Business : \_\_\_\_\_ DATE: JUN 24 2026  
 Address: \_\_\_\_\_ PR 116. 2026-06-16 F. 491  
 Email address: \_\_\_\_\_ Telephone No. \_\_\_\_\_ ABC: Php. 410,000.00  
 FUND SOURCE: 16P

The Benguet State University through its Bids and Awards Committee will undertake SVP for the item/s listed below under the following terms and conditions:

- All entries must be written legibly and accurately.
- Delivery period is within 45 calendar days.
- Warranty period shall be for a minimum of three months, in case of expendable supplies, and a minimum of one year in case of non-expendable supplies from date of acceptance by the University.
- Price validity shall be for a period of 60 calendar days.
- Compliance with specifications: Kindly specify in the column provided below whether the offer fully complies with the specifications or a counter offer.
- Deadline of submission of quotation is on or before 5:00 pm of July 6, 2026. Offers may be submitted in sealed or open quotation in person, or through facsimile (074-661-1839) or email (procurement@bsu.edu.ph)
- The item/s shall be procured by: X a) line item; \_\_\_\_\_ b) lot; \_\_\_\_\_ c) sub-lot
- Business Permit Number : \_\_\_\_\_, date of issue: \_\_\_\_\_, place of issue: \_\_\_\_\_, (If renewal of Business Permit is still on process, please indicate OR No: \_\_\_\_\_, date of OR : \_\_\_\_\_ for the payment of renewal).
- \* PhilGEPS Registration Number: \_\_\_\_\_

**JOSEL M. FLORENTIN**  
 Chairperson, BAC (Goods & Services)

College/Dept./Office: ICT Office

Item No.	Qty	Unit	Item	Technical Specifications (Brand and Model)		ABC	Unit Cost	Total Cost
				COMPLY	COUNTER OFFER			
1	1	lot	Supply, Delivery, and Installation of Network cables: 1. Inclusive of supply and delivery of the following: a) one (1) unit 42U data cabinet with the following minimum specifications: (LDH) 600mm x 800mm x 2055 mm, 1x rackmount 8-outlet strip, 1x depth adjustable server rack rail, 1x 12" depth rack mount shelf, 2x mounted fans, front mesh and rear mesh doors, removable side panels. b) stainless steel cable trays, customized data cabinet mounts, miscellaneous network cabling installation items.  2. Installation of Network Cabling at the following Administration building Offices: Office of the President, CBOO, HRMO, ROA, OVPAA, OUBS, PPO, and OUR. Includes the proper removal of old the cabling system.  Note: bidder is required to do an on-site inspection and pre-evaluation prior to submission of quotation. <u>Attached</u>			410,000.00		
			<u>scope of work</u>	TOTAL		410,000.00		

Delivery Period: \_\_\_\_\_  
 Warranty: \_\_\_\_\_  
 Price Validity: \_\_\_\_\_

We hereby submit our quotations, accept the general conditions for the above items and be bound by our offer.

\_\_\_\_\_  
 Signature over Printed Name

\_\_\_\_\_  
 Date and Time of Receipt of RFQ

\* Not a ground for disqualification for failure to indicate but required as a condition for award.

Revised: 9/19/2022



*Information and Communications Technology  
 Office*

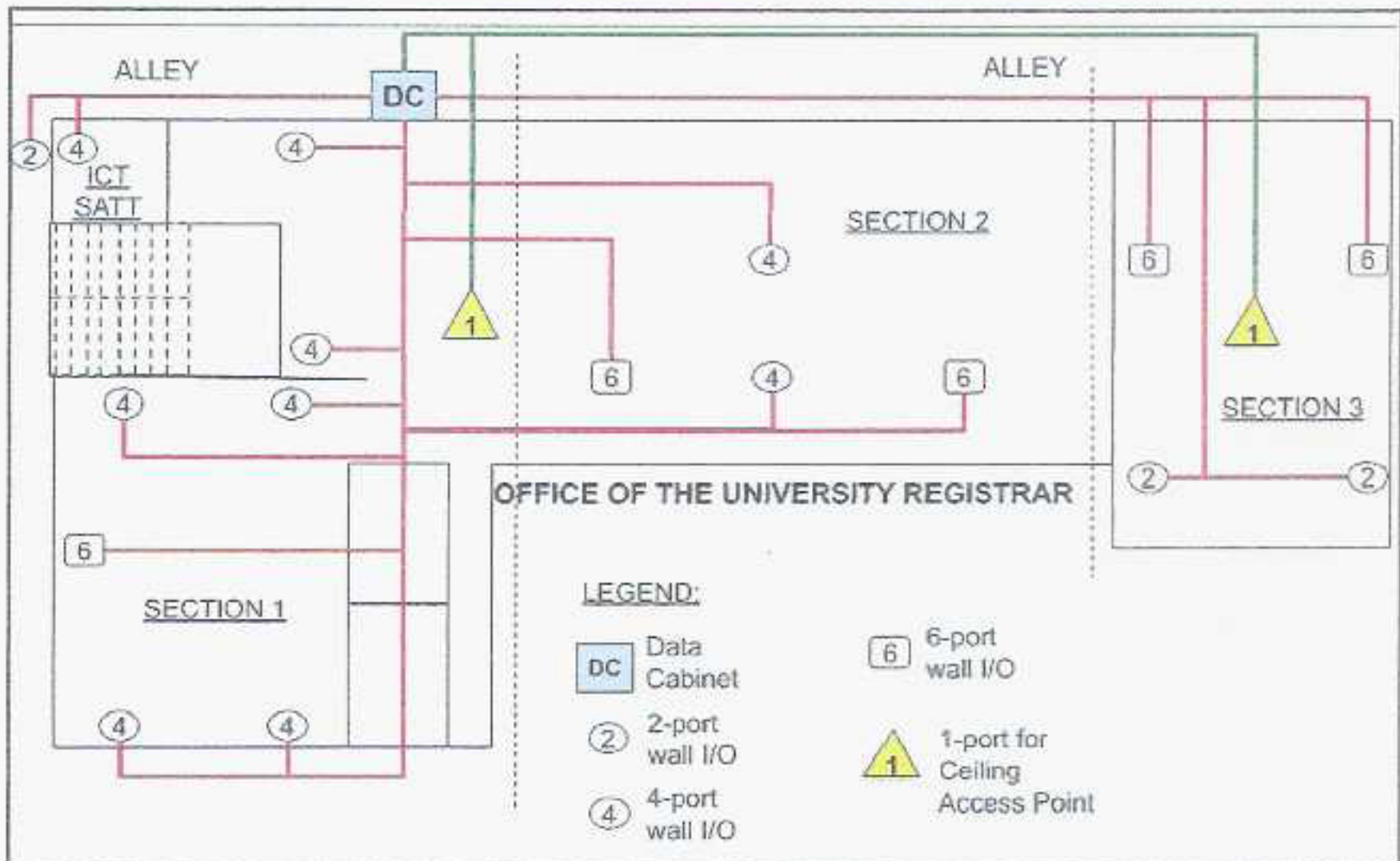
## INSTALLATION OF NETWORK CABLE SYSTEM AT THE ADMINISTRATION BUILDING

**SCOPE OF WORK:**

- End Nodes: Cable pulling, termination, faceplate installation, testing and labeling.
- Data Cabinet/Rack: Rack assembly, rack mounting, patch panel mounting, cable dressing, termination, labeling and testing.
- Access point installation: device mounting, cable termination and testing.
- Stainless Steel Cable tray: fabrication, mounting, finishing, and painting.
- Fiber-optic cable uplink installation: Cable pulling, termination, testing and labeling.

**2026 1/F Administration Office of the University Registrar Network Upgrade Plan**

Network Diagram:



LOCATION	TERMINATION	# of Ports	Length per line (m)
OUR, Section 1	Data Cabinet	4	6
OUR, Section 1	Data Cabinet	4	15
OUR, Section 1	Data Cabinet	4	17
OUR, Section 1	Data Cabinet	4	20
OUR, Section 1	Data Cabinet	6	24
OUR, Section 1	Data Cabinet	4	30
OUR, Section 1	Data Cabinet	4	24
OUR, Section 1 Access Point	Data Cabinet	1	20
OUR, Section 2	Data Cabinet	4	18

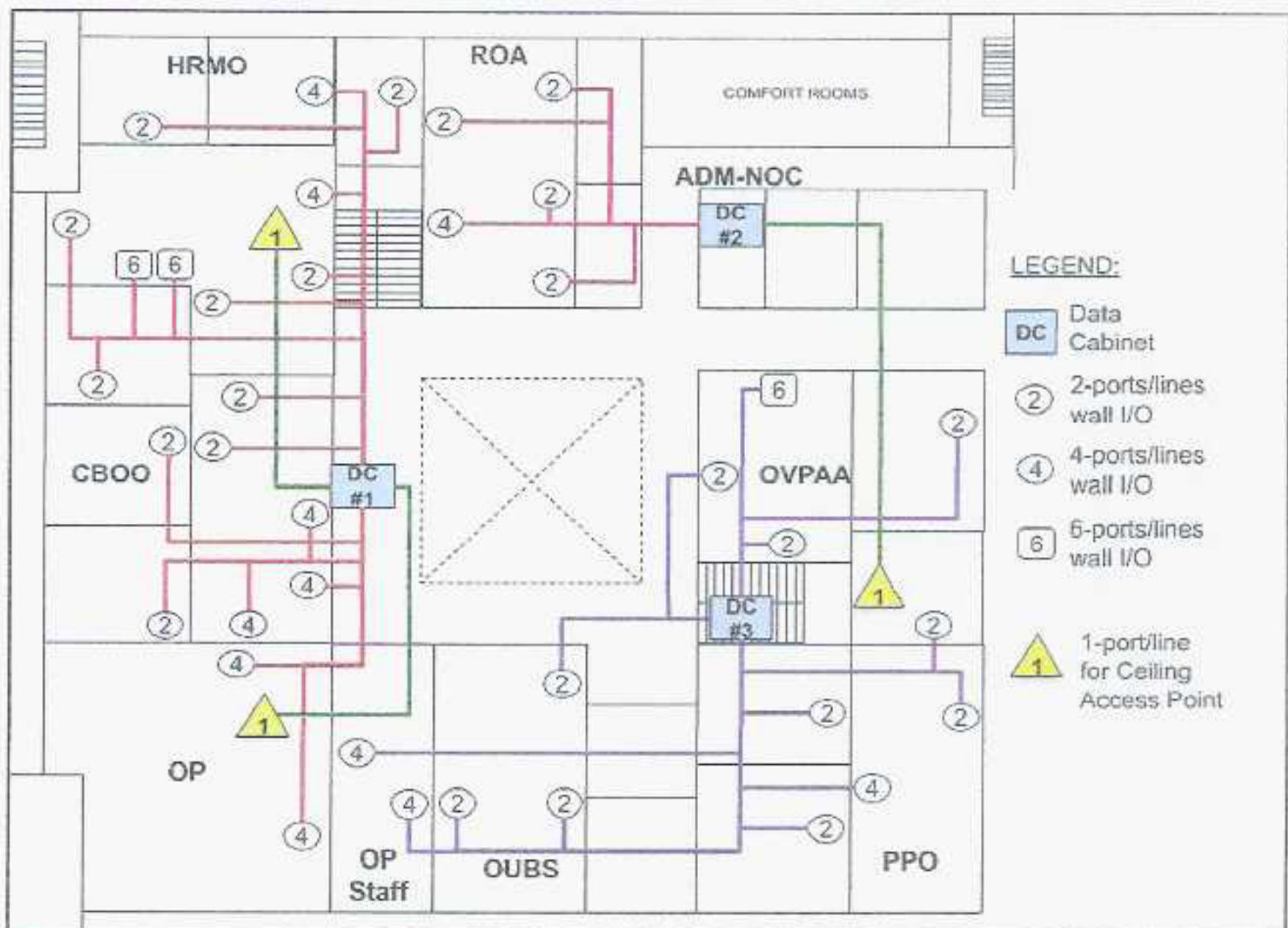


*Information and Communications Technology  
 Office*

OUR, Section 2	Data Cabinet	6	18
OUR, Section 2	Data Cabinet	4	20
OUR, Section 2	Data Cabinet	6	24
OUR, Section 3	Data Cabinet	6	20
OUR, Section 2	Data Cabinet	6	24
OUR, Section 2	Data Cabinet	2	26
OUR, Section 2	Data Cabinet	2	30
OUR, Section 3 Access Point	Data Cabinet	1	22
ICT SATT	Data Cabinet	4	20
HRIS Station	Data Cabinet	2	20
	<b>TOTAL</b>	<b>74 LINES</b>	<b>1534 meters</b>

**2026 1/F Administration Office of the University Registrar Network Upgrade Plan**

Network Diagram:



LOCATION	TERMINATION	# of Ports/Lines	Length per line (m)
Office of the President (OP)	Data Cabinet #1	4	19
Office of the President (OP)	Data Cabinet #1	4	14
OP Staff	Data Cabinet #3	4	18
OP Staff	Data Cabinet #3	4	18
OP Access Point	Data Cabinet #1	1	16
OUBS	Data Cabinet #3	2	16
OUBS	Data Cabinet #3	2	16



*Information and Communications Technology  
 Office*

OUBS	Data Cabinet #3	2	8
CBOO	Data Cabinet #1	2	15
CBOO	Data Cabinet #1	2	14
CBOO	Data Cabinet #1	2	14
CBOO	Data Cabinet #1	2	17
CBOO	Data Cabinet #1	2	9
CBOO	Data Cabinet #1	4	5
CBOO	Data Cabinet #1	4	9
CBOO	Data Cabinet #1	4	14
HRMO	Data Cabinet #1	2	22
HRMO	Data Cabinet #1	2	24
HRMO	Data Cabinet #1	4	19
HRMO	Data Cabinet #1	2	20
HRMO	Data Cabinet #1	4	13
HRMO	Data Cabinet #1	2	10
HRMO	Data Cabinet #1	6	19
HRMO	Data Cabinet #1	6	19
HRMO	Data Cabinet #1	2	15
<i>HRMO Access Point</i>	<i>Data Cabinet #1</i>	<i>1</i>	<i>10</i>
ROA	Data Cabinet #2	2	20
ROA	Data Cabinet #2	4	18
ROA	Data Cabinet #2	2	16
ROA	Data Cabinet #2	2	14
ROA	Data Cabinet #2	2	12
OVPAA	Data Cabinet #3	6	15
OVPAA	Data Cabinet #3	2	16
OVPAA	Data Cabinet #3	2	9
OVPAA	Data Cabinet #3	2	6
OVPAA	Data Cabinet #3	2	14
OVPAA	Data Cabinet #3	2	6
OVPAA	Data Cabinet #3	2	9
<i>OVPAA Access Point</i>	<i>Data Cabinet #2</i>	<i>1</i>	<i>32</i>
PPO	Data Cabinet #3	4	8
PPO	Data Cabinet #3	2	9
	<b>TOTAL</b>	<b>113 LINES</b>	<b>1658 meters</b>

Prepared by:



**BUFORD B. DARUAN**  
 Systems Analyst 1

ICT Office, Benguet State University

Noted by:



**PAUL G. GARCIA JR., PhD**  
 Director

ICT Office, Benguet State University